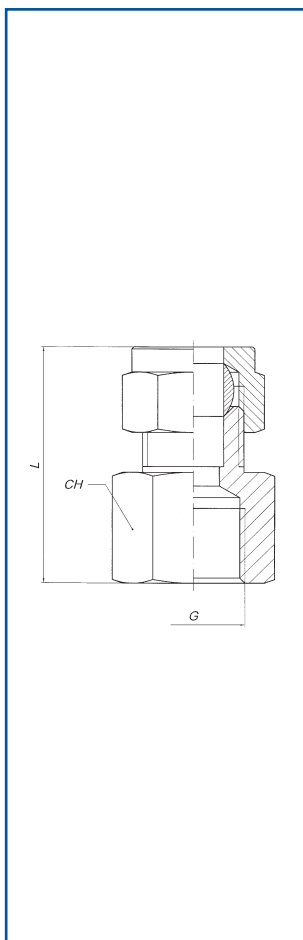


## 80.1020

PRZYŁĄCZKA PROSTA DO RUREK MIEDZIANYCH Z GWINTEM G1/8 DO G1

STRAIGHT MALE ADAPTOR (PARALLEL)

| G   | PRZEWÓD<br>TUBE | L    | CH | CH1 | Nr zamówieniowy<br>Code number |
|-----|-----------------|------|----|-----|--------------------------------|
| 1/8 | - 4             | 25,5 | 13 | 10  | 80.1020.18.04                  |
| 1/8 | - 6             | 27,5 | 13 | 12  | 80.1020.18.06                  |
| 1/8 | - 8             | 29   | 13 | 14  | 80.1020.18.08                  |
| 1/4 | - 6             | 31   | 17 | 12  | 80.1020.14.06                  |
| 1/4 | - 8             | 31,5 | 17 | 14  | 80.1020.14.08                  |
| 1/4 | - 10            | 35   | 17 | 19  | 80.1020.14.10                  |
| 3/8 | - 6             | 29   | 17 | 12  | 80.1020.38.06                  |
| 3/8 | - 8             | 35,3 | 22 | 14  | 80.1020.38.08                  |
| 3/8 | - 10            | 39   | 22 | 19  | 80.1020.38.10                  |
| 3/8 | - 14            | 39   | 22 | 23  | 80.1020.38.14                  |
| 1/2 | - 14            | 41   | 27 | 23  | 80.1020.12.14                  |
| 3/4 | - 22            | 48   | 32 | 34  | 80.1020.34.22                  |
| 1"  | - 22            | 50,5 | 41 | 34  | 80.1020.10.22                  |

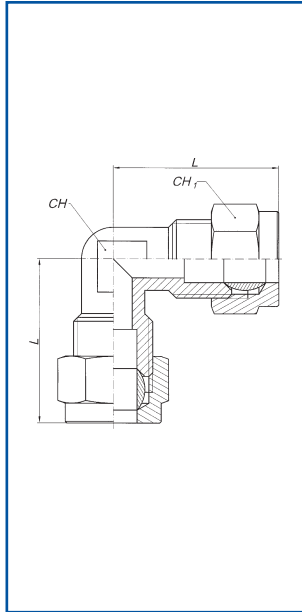


## 80.1021

PRZYŁĄCZKA PROSTA DO RUREK MIEDZIANYCH Z GWINTEM WEWNĘTRZNYM G1/8 DO G1/2

STRAIGHT FEMALE ADAPTOR (PARALLEL)

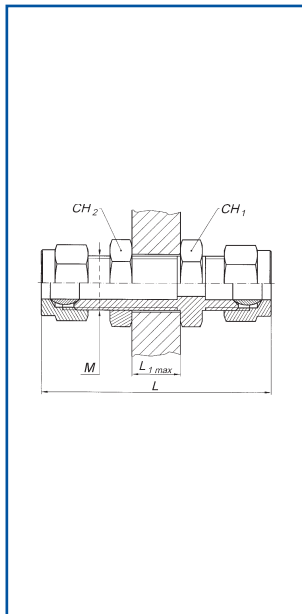
| G   | PRZEWÓD<br>TUBE | L    | CH | CH1 | Nr zamówieniowy<br>Code number |
|-----|-----------------|------|----|-----|--------------------------------|
| 1/8 | - 4             | 24   | 14 | 10  | 80.1021.18.04                  |
| 1/8 | - 6             | 26   | 14 | 12  | 80.1021.18.06                  |
| 1/8 | - 8             | 30   | 14 | 14  | 80.1021.18.08                  |
| 1/4 | - 4             | 27   | 17 | 10  | 80.1021.14.04                  |
| 1/4 | - 6             | 28   | 17 | 12  | 80.1021.14.06                  |
| 1/4 | - 8             | 28   | 17 | 14  | 80.1021.14.08                  |
| 1/4 | - 10            | 32   | 17 | 19  | 80.1021.14.10                  |
| 1/4 | - 12            | 33   | 17 | 21  | 80.1021.14.12                  |
| 3/8 | - 8             | 29   | 20 | 14  | 80.1021.38.08                  |
| 3/8 | - 10            | 33,2 | 20 | 19  | 80.1021.38.10                  |
| 3/8 | - 12            | 32   | 20 | 21  | 80.1021.38.12                  |
| 3/8 | - 14            | 36   | 20 | 23  | 80.1021.38.14                  |
| 1/2 | - 10            | 31   | 24 | 19  | 80.1021.12.10                  |
| 1/2 | - 12            | 32   | 24 | 21  | 80.1021.12.12                  |
| 1/2 | - 14            | 34   | 24 | 23  | 80.1021.12.14                  |



# 80.1022

**ZŁĄCZKA KATOWA DO RUREK MIEDZIANYCH**  
ELBOW CONNECTOR

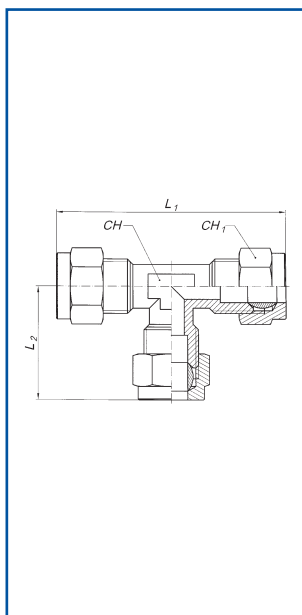
| PRZEWÓD<br>TUBE | L  | CH | CH1 | Nr zamówieniowy<br>Code number |
|-----------------|----|----|-----|--------------------------------|
| 4               | 21 | 8  | 10  | 80.1022.04                     |
| 6               | 25 | 9  | 12  | 80.1022.06                     |
| 8               | 28 | 11 | 14  | 80.1022.08                     |
| 10              | 32 | 13 | 19  | 80.1022.10                     |
| 12              | 33 | 14 | 21  | 80.1022.12                     |
| 14              | 39 | 17 | 23  | 80.1022.14                     |
| 16              | 41 | 17 | 25  | 80.1022.16                     |
| 22              | 43 | 27 | 34  | 80.1022.22                     |



# 80.1023

**ŁĄCZNIK GRODZIOWY DO RUREK MIEDZIANYCH**  
BULKHEAD CONNECTOR

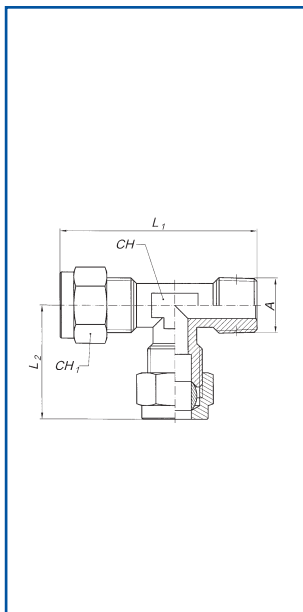
| PRZEWÓD<br>TUBE | L  | L <sub>1max</sub> | CH1 | CH2 | M  | Nr zamówieniowy<br>Code number |
|-----------------|----|-------------------|-----|-----|----|--------------------------------|
| 4               | 48 | 15                | 13  | 13  | 10 | 80.1023.04                     |
| 6               | 48 | 15                | 13  | 13  | 12 | 80.1023.06                     |
| 8               | 53 | 15                | 14  | 17  | 16 | 80.1023.08                     |
| 10              | 59 | 16                | 21  | 21  | 18 | 80.1023.10                     |
| 12              | 68 | 20                | 22  | 24  | 18 | 80.1023.12                     |
| 14              | 72 | 20                | 24  | 24  | 20 | 80.1023.14                     |



# 80.1024

**TRÓJNIK DO RUREK MIEDZIANYCH**  
TEE CONNECTOR

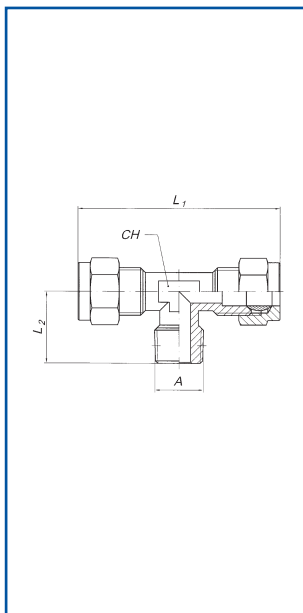
| PRZEWÓD<br>TUBE | L1 | L2   | CH | CH1 | Nr zamówieniowy<br>Code number |
|-----------------|----|------|----|-----|--------------------------------|
| 4               | 42 | 21   | 8  | 10  | 80.1024.04                     |
| 6               | 50 | 25   | 9  | 12  | 80.1024.06                     |
| 8               | 53 | 26,5 | 12 | 14  | 80.1024.08                     |
| 10              | 62 | 31   | 13 | 19  | 80.1024.10                     |
| 12              | 67 | 33,5 | 14 | 21  | 80.1024.12                     |
| 14              | 72 | 36   | 18 | 23  | 80.1024.14                     |
| 16              | 80 | 40   | 17 | 25  | 80.1024.16                     |
| 22              | 86 | 43   | 27 | 34  | 80.1024.22                     |



## 80.1025

TRÓJNIK DO RUREK MIEDZIANYCH Z GWINTEM R1/8 DO R3/8  
TEE MALE ADAPTOR OFF – SET LEG

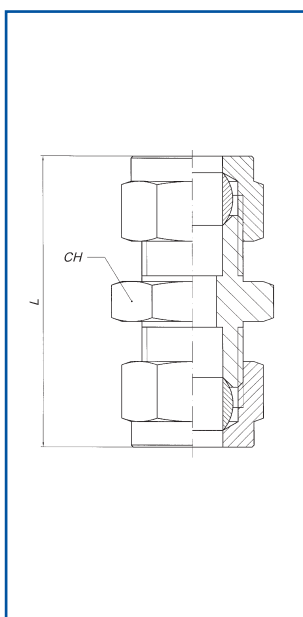
| A   | PRZEWÓD<br>TUBE | L1 | L2 | CH | CH1 | Nr zamówieniowy<br>Code number |
|-----|-----------------|----|----|----|-----|--------------------------------|
| 1/8 | - 4             | 35 | 21 | 8  | 10  | 80.1025.18.04                  |
| 1/8 | - 6             | 43 | 24 | 9  | 12  | 80.1025.18.06                  |
| 1/8 | - 8             | 45 | 26 | 12 | 14  | 80.1025.18.08                  |
| 1/4 | - 6             | 45 | 25 | 9  | 12  | 80.1025.14.06                  |
| 1/4 | - 8             | 46 | 26 | 12 | 14  | 80.1025.14.08                  |
| 1/4 | - 10            | 55 | 31 | 13 | 19  | 80.1025.14.10                  |
| 3/8 | - 8             | 49 | 26 | 13 | 14  | 80.1025.38.08                  |
| 3/8 | - 10            | 56 | 31 | 13 | 19  | 80.1025.38.10                  |
| 3/8 | - 12            | 58 | 33 | 14 | 21  | 80.1025.12.38                  |



## 80.1026

TRÓJNIK DO RUREK MIEDZIANYCH Z GWINTEM R1/8 DO R1/2  
TEE MALE ADAPTOR CENTRE LEG

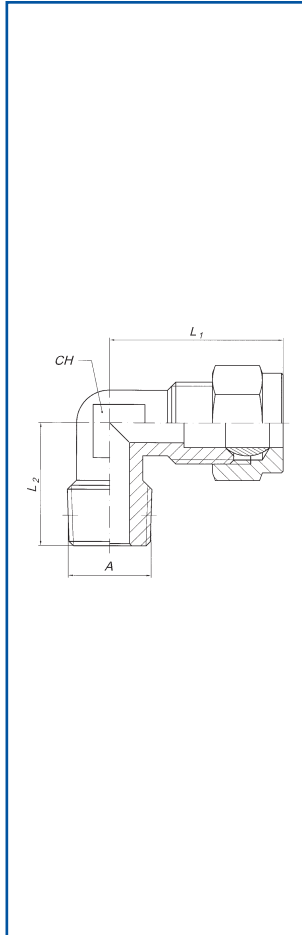
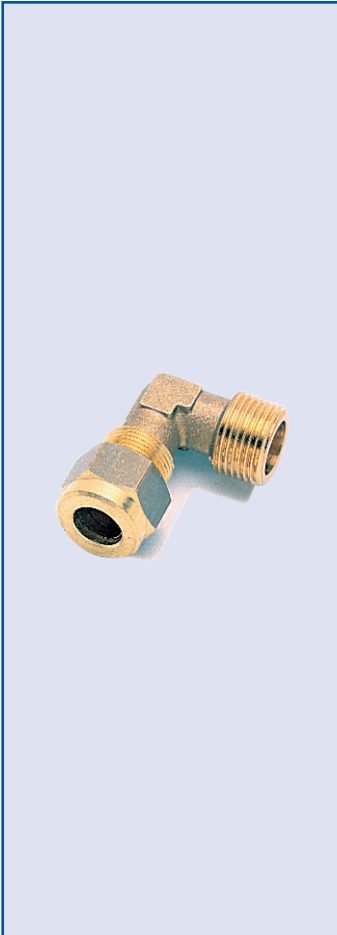
| A   | PRZEWÓD<br>TUBE | L1 | L2   | CH | Nr zamówieniowy<br>Code number |
|-----|-----------------|----|------|----|--------------------------------|
| 1/8 | - 4             | 42 | 15   | 89 | 80.1026.18.04                  |
| 1/8 | - 6             | 49 | 19   | 9  | 80.1026.18.06                  |
| 1/8 | - 8             | 53 | 18   | 12 | 80.1026.18.08                  |
| 1/4 | - 6             | 49 | 20   | 9  | 80.1026.14.06                  |
| 1/4 | - 8             | 53 | 20,5 | 12 | 80.1026.14.08                  |
| 1/4 | - 10            | 63 | 23   | 13 | 80.1026.14.10                  |
| 1/4 | - 12            | 66 | 24   | 14 | 80.1026.14.12                  |
| 3/8 | - 8             | 57 | 23   | 13 | 80.1026.38.08                  |
| 3/8 | - 10            | 62 | 23,5 | 13 | 80.1026.38.10                  |
| 3/8 | - 12            | 66 | 25   | 14 | 80.1026.38.12                  |
| 3/8 | - 14            | 75 | 26   | 16 | 80.1026.38.14                  |
| 1/2 | - 12            | 67 | 26   | 14 | 80.1026.12.12                  |
| 1/2 | - 16            | 79 | 29   | 17 | 80.1026.12.16                  |
| 1/2 | - 18            | 92 | 31,5 | 20 | 80.1026.12.18                  |



## 80.1027

ŁĄCZNIK DO RUREK MIEDZIANYCH  
STRAIGHT CONNECTOR

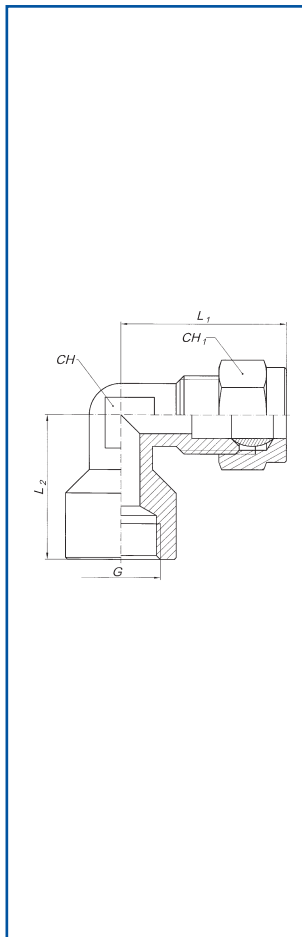
| PRZEWÓD<br>TUBE | L  | CH | Nr zamówieniowy<br>Code number |
|-----------------|----|----|--------------------------------|
| 6               | 34 | 12 | 80.1027.06                     |
| 8               | 35 | 13 | 80.1027.08                     |
| 10              | 43 | 16 | 80.1027.10                     |
| 12              | 43 | 18 | 80.1027.12                     |
| 14              | 46 | 21 | 80.1027.14                     |
| 16              | 52 | 22 | 80.1027.16                     |
| 22              | 55 | 30 | 80.1027.22                     |



## 80.1028

ZŁĄCZKA KATOWA DO RUREK MIEDZIANYCH Z GWINTEM  
STOŹKOWYM R1/8 DO R3/4  
ELBOW MALE ADAPTOR

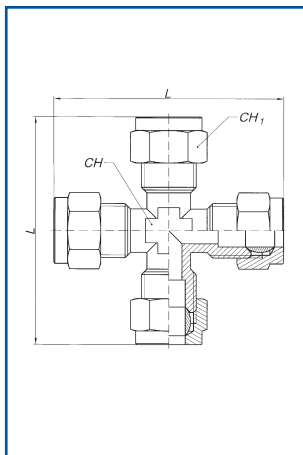
| A   | PRZEWÓD<br>TUBE | L1   | L2   | CH | Nr zamówieniowy<br>Code number |
|-----|-----------------|------|------|----|--------------------------------|
| 1/8 | - 6             | 25,5 | 19   | 9  | 80.1028.18.06                  |
| 1/8 | - 8             | 27   | 19   | 11 | 80.1028.18.08                  |
| 1/4 | - 6             | 24   | 19   | 9  | 80.1028.14.06                  |
| 1/4 | - 8             | 28   | 21   | 11 | 80.1028.14.08                  |
| 1/4 | - 10            | 33   | 24   | 13 | 80.1028.14.10                  |
| 1/4 | - 12            | 35   | 24   | 14 | 80.1028.14.12                  |
| 3/8 | - 8             | 32   | 25   | 13 | 80.1028.38.08                  |
| 3/8 | - 10            | 33   | 24   | 13 | 80.1028.38.10                  |
| 3/8 | - 12            | 33   | 25   | 14 | 80.1028.38.12                  |
| 3/8 | - 14            | 38   | 26   | 17 | 80.1028.38.14                  |
| 1/2 | - 10            | 33   | 25   | 14 | 80.1028.12.10                  |
| 1/2 | - 12            | 34   | 25   | 14 | 80.1028.12.12                  |
| 1/2 | - 14            | 38   | 28,5 | 17 | 80.1028.12.14                  |
| 3/4 | - 22            | 43   | 34   | 27 | 80.1028.34.22                  |



## 80.1029

ZŁĄCZKA KATOWA DO RUREK MIEDZIANYCH Z GWINTEM  
WEWNĘTRZNYM R1/8 DO R3/4  
ELBOW MALE ADAPTOR

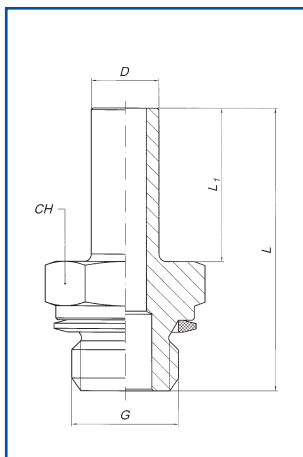
| A   | PRZEWÓD<br>TUBE | L1 | L2 | CH | CH1 | Nr zamówieniowy<br>Code number |
|-----|-----------------|----|----|----|-----|--------------------------------|
| 1/8 | - 6             | 24 | 19 | 9  | 12  | 80.1029.18.06                  |
| 1/8 | - 8             | 27 | 20 | 11 | 14  | 80.1029.18.08                  |
| 1/4 | - 6             | 26 | 23 | 11 | 12  | 80.1029.14.06                  |
| 1/4 | - 8             | 28 | 24 | 13 | 14  | 80.1029.14.08                  |
| 1/4 | - 10            | 34 | 25 | 13 | 19  | 80.1029.14.10                  |
| 1/4 | - 12            | 34 | 25 | 14 | 21  | 80.1029.14.12                  |
| 3/8 | - 8             | 30 | 25 | 14 | 14  | 80.1029.38.08                  |
| 3/8 | - 10            | 33 | 25 | 14 | 19  | 80.1029.38.10                  |
| 3/8 | - 12            | 33 | 26 | 14 | 21  | 80.1029.38.12                  |
| 1/2 | - 10            | 33 | 26 | 14 | 19  | 80.1029.12.10                  |
| 1/2 | - 12            | 33 | 26 | 15 | 21  | 80.1029.12.12                  |
| 1/2 | - 14            | 39 | 30 | 18 | 23  | 80.1029.12.14                  |



## 80.1030

CZWÓRNIK DO RUREK MIEDZIANYCH  
EQUAL CROSS

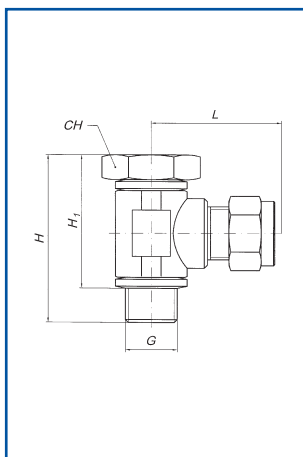
| PRZEWÓD | L  | CH | CH1 | Nr zamówieniowy<br>Code number |
|---------|----|----|-----|--------------------------------|
| 6       | 48 | 8  | 12  | 80.1030.06                     |
| 8       | 62 | 11 | 14  | 80.1030.08                     |
| 10      | 64 | 13 | 19  | 80.1030.10                     |
| 12      | 70 | 17 | 21  | 80.1030.12                     |



## 80.1031

ADAPTER DO PRZYŁĄCZEK DO RUREK MIEDZIANYCH  
Z GWINTEM G1/8 DO G3/4  
ORIENTING MALE ADAPTOR PARALLEL

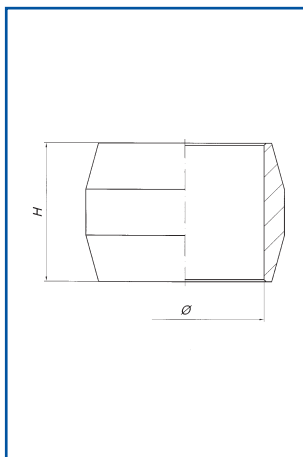
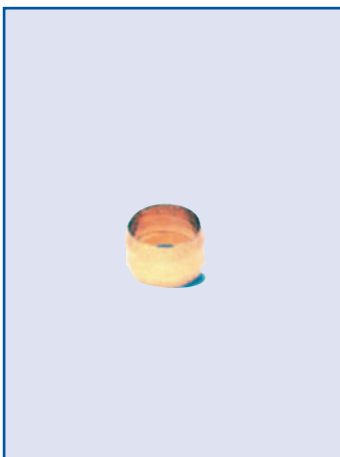
| G   | D | L  | L1   | CH | Nr zamówieniowy<br>Code number |               |
|-----|---|----|------|----|--------------------------------|---------------|
| 1/8 | - | 6  | 27,5 | 16 | 13                             | 80.1031.18.06 |
| 1/8 | - | 8  | 31,5 | 19 | 13                             | 80.1031.18.08 |
| 1/4 | - | 6  | 31   | 16 | 17                             | 80.1031.14.06 |
| 1/4 | - | 8  | 34   | 19 | 17                             | 80.1031.14.08 |
| 1/4 | - | 10 | 35   | 20 | 17                             | 80.1031.14.10 |
| 3/8 | - | 8  | 38   | 19 | 22                             | 80.1031.38.08 |
| 3/8 | - | 10 | 39   | 20 | 22                             | 80.1031.38.10 |
| 3/8 | - | 14 | 40   | 21 | 22                             | 80.1031.38.14 |
| 1/2 | - | 14 | 42   | 21 | 27                             | 80.1031.12.14 |



## 80.1032

PRZYŁĄCZKA KATOWA DO RUREK MIEDZIANYCH Z GWINTEM  
G1/8 DO G1/2  
SINGLE BANJO BODY WITH NUT

| G   | PRZEWÓD<br>TUBE | L  | H    | H1   | CH   | Nr zamówieniowy<br>Code number |               |
|-----|-----------------|----|------|------|------|--------------------------------|---------------|
| 1/8 | -               | 6  | 24   | 31   | 23   | 14                             | 80.1032.18.06 |
| 1/8 | -               | 8  | 27,5 | 31   | 23   | 14                             | 80.1032.18.08 |
| 1/4 | -               | 6  | 27   | 33,5 | 23,5 | 17                             | 80.1032.14.06 |
| 1/4 | -               | 8  | 27,5 | 33,5 | 23,5 | 17                             | 80.1032.14.08 |
| 1/4 | -               | 10 | 32,5 | 33,5 | 28,5 | 17                             | 80.1032.14.10 |
| 3/8 | -               | 8  | 29   | 34,5 | 28,5 | 19                             | 80.1032.38.08 |
| 3/8 | -               | 10 | 32,5 | 34,5 | 28,5 | 19                             | 80.1032.38.10 |
| 3/8 | -               | 14 | 36   | 46   | 37   | 22                             | 80.1032.38.14 |
| 1/2 | -               | 14 | 36   | 49   | 38   | 24                             | 80.1032.12.14 |
| 3/4 | -               | 22 | 45,5 | 64   | 52   | 32                             | 80.1032.34.22 |



## 80.0133

PIERŚCIEŃ ZACISKOWY DO PRZYŁĄCZEK DO RUREK MIEDZIANYCH  
BRASS OLIVE

| PRZEWÓD<br>TUBE Ø | H   | Nr zamówieniowy<br>Code number |
|-------------------|-----|--------------------------------|
| 4                 | 5,5 | 80.0133.04                     |
| 6                 | 6,5 | 80.0133.06                     |
| 8                 | 6,5 | 80.0133.08                     |
| 10                | 7,5 | 80.0133.10                     |
| 12                | 8   | 80.0133.12                     |
| 14                | 8,5 | 80.0133.14                     |
| 16                | 9,5 | 80.0133.16                     |
| 22                | 10  | 80.0133.22                     |