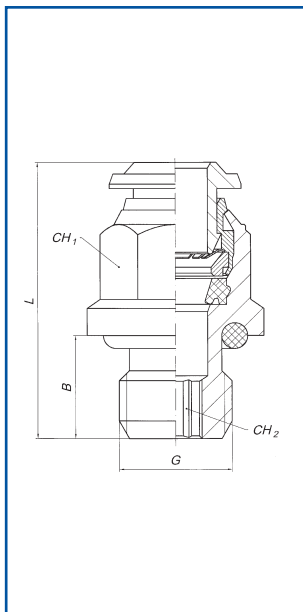
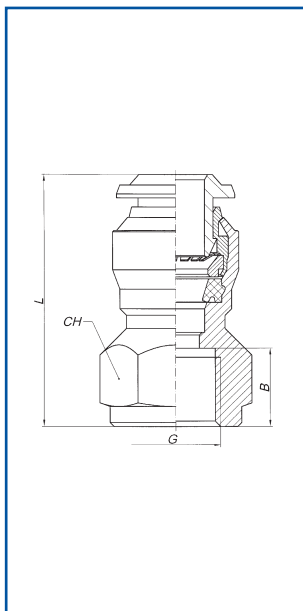


# 80.0050.01

PRZYŁĄCZKA PROSTA WTYKOWA DO PRZEWODÓW  
Z TWORZYW SZTUCZNYCH Z GWINTEM M5 DO G 3/8  
STRAIGHT MALE ADAPTOR



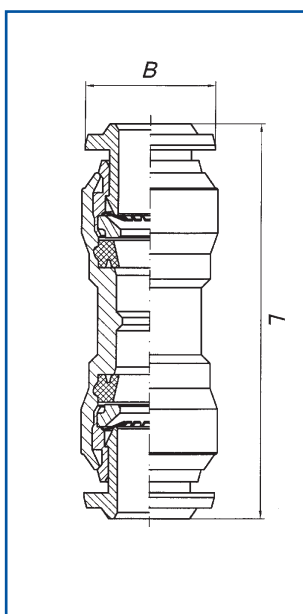
| G        | PRZEWÓD<br>TUBE | B  | C    | L    | CH1 | CH2 | Nr zamówieniowy<br>Code number |
|----------|-----------------|----|------|------|-----|-----|--------------------------------|
| M5       | - 4             | 5  | 8    | 21   | 10  | 2   | 80.0050.01.0504                |
| M5       | - 6             | 5  | 10   | 24,5 | 13  | 2   | 80.0050.01.0506                |
| 1/8      | - 4             | 6  | 13   | 20   | 10  | 3   | 80.0050.01.1804                |
| 1/8      | - 6             | 6  | 13   | 23,5 | 13  | 4   | 80.0050.01.1806                |
| 1/8      | - 8             | 6  | 13   | 25   | 14  | 5   | 80.0050.01.1808                |
| 1/4      | - 4             | 7  | 15,2 | 19,5 | 14  | 2,5 | 80.0050.01.1404                |
| 1/4      | - 6             | 8  | 16   | 23,5 | 13  | 4   | 80.0050.01.1406                |
| 1/4      | - 8             | 8  | 16   | 23   | 14  | 6   | 80.0050.01.1408                |
| 1/4      | - 10            | 8  | 16   | 30,5 | 17  | 6   | 80.0050.01.1410                |
| 3/8      | - 6             | 9  |      | 25   | 13  | 4   | 80.0050.01.3806                |
| 3/8      | - 8             | 9  | 20   | 24   | 14  | 6   | 80.0050.01.3808                |
| 3/8      | - 10            | 9  | 20   | 27,5 | 17  | 8   | 80.0050.01.3810                |
| 3/8      | - 12            | 9  | 20   | 34   | 20  | 8   | 80.0050.01.3812                |
| 1/2      | - 6             | 10 |      | 27   | 13  | 4   | 80.0050.01.126                 |
| 1/2      | - 8             | 10 | 25   | 26,5 | 14  | 6   | 80.0050.01.1208                |
| 1/2      | - 10            | 10 | 25   | 27   | 17  | 8   | 80.0050.01.1210                |
| 1/2      | - 12            | 10 | 25   | 31   | 22  | 10  | 80.0050.01.1212                |
| M12x1,25 | - 6             | 8  | 15   | 23,5 | 13  | 4   | 80.0050.01.1206                |
| M12x1,5  | - 6             | 8  | 15   | 23,5 | 13  | 4   | 80.0050.01.1306                |



# 80.0050.02

PRZYŁĄCZKA PROSTA WTYKOWA Z GWINTEM WEWNĘTRZNYM  
G 1/8 DO G 1/4 DO PRZEWODÓW Z TWORZYW SZTUCZNYCH  
STRAIGHT FEMALE ADAPTOR

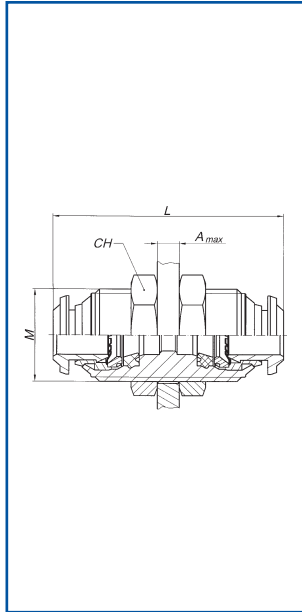
| G   | PRZEWÓD<br>TUBE | B   | L    | CH | Nr zamówieniowy<br>Code number |
|-----|-----------------|-----|------|----|--------------------------------|
| 1/8 | - 4             | 8,5 | 24   | 13 | 80.0050.02.1804                |
| 1/8 | - 6             | 8,5 | 26   | 13 | 80.0050.02.1806                |
| 1/8 | - 8             | 8,5 | 27   | 15 | 80.0050.02.1808                |
| 1/4 | - 6             | 11  | 29,5 | 16 | 80.0050.02.1406                |
| 1/4 | - 8             | 11  | 29,5 | 17 | 80.0050.02.1408                |
| 1/4 | - 10            | 11  | 33,5 | 17 | 80.0050.02.1410                |
| 3/8 | - 8             | 12  | 32   | 19 | 80.0050.02.3808                |
| 3/8 | - 10            | 12  | 33,5 | 19 | 80.0050.02.3810                |
| 3/8 | - 12            | 12  | 36   | 21 | 80.0050.02.3812                |
| 1/2 | - 12            | 15  | 41   | 24 | 80.0050.02.1212                |



# 80.0050.07

ŁĄCZNIK WTYKOWY DO PRZEWODÓW Z TWORZYW  
SZTUCZNYCH  
STRAIGHT CONNECTOR

| PRZEWÓD<br>TUBE | L    | B    | Nr zamówieniowy<br>Code number |
|-----------------|------|------|--------------------------------|
| 4               | 30,5 | 11,5 | 80.0050.07.04                  |
| 5               | 33   | 10,5 | 80.0050.07.05                  |
| 6               | - 4  | 32   | 80.0050.07.0604                |
| 6               |      | 34   | 80.0050.07.06                  |
| 8               | - 6  | 35   | 80.0050.07.0806                |
| 8               |      | 36   | 80.0050.07.08                  |
| 10              |      | 42   | 80.0050.07.10                  |
| 10              | - 8  | 40,5 | 80.0050.07.1008                |
| 12              |      | 47   | 80.0050.07.12                  |
| 12              | - 10 | 45,5 | 80.0050.07.1210                |

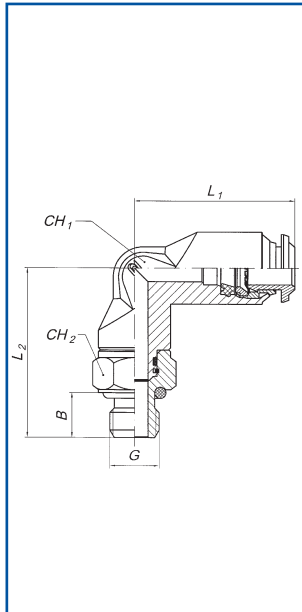


## 80.0050.08

ŁCZNIK WTYKOWY GRODZIOWY DO PRZEWODÓW Z TWORZYW SZTUCZNYCH

BULKHEAD CONNECTOR

| M     | PRZEWÓD |      |    |                  |  | Nr zamówieniowy<br>Code number |
|-------|---------|------|----|------------------|--|--------------------------------|
|       | TUBE    | L    | CH | A <sub>max</sub> |  |                                |
| M12x1 | - 4     | 31,5 | 17 | 7                |  | 80.0050.08.04                  |
| M14x1 | - 6     | 35   | 17 | 9,5              |  | 80.0050.08.06                  |
| M16x1 | - 8     | 37   | 19 | 10,5             |  | 80.0050.08.08                  |
| M20x1 | - 10    | 43   | 24 | 12,5             |  | 80.0050.08.10                  |
| M22x1 | - 12    | 48   | 26 | 16,5             |  | 80.0050.08.12                  |

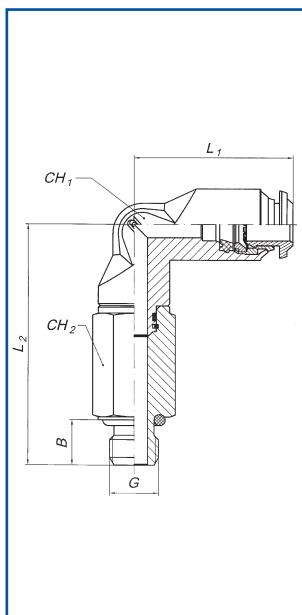


## 80.0050.04

PRZYŁĄCZKA KĄTOWA WTYKOWA DO PRZEWODÓW Z TWORZYW SZTUCZNYCH Z GWINTEM M5 DO G 1/2

ORIENTING ELBOW MALE ADAPTOR (PARALLEL)

| G        | PRZEWÓD |    |      |      |     |     | Nr zamówieniowy<br>Code number |
|----------|---------|----|------|------|-----|-----|--------------------------------|
|          | TUBE    | B  | L1   | L2   | CH1 | CH2 |                                |
| M5       | - 4     | 5  | 17   | 20   | 9   | 8   | 80.0050.04.0504                |
| M5       | - 6     | 5  | 21   | 22,5 | 11  | 8   | 80.0050.04.0506                |
| 1/8      | - 4     | 6  | 17   | 22,5 | 9   | 13  | 80.0050.04.1804                |
| 1/8      | - 6     | 6  | 21   | 24,5 | 11  | 13  | 80.0050.04.1806                |
| 1/8      | - 8     | 6  | 22,5 | 26   | 13  | 13  | 80.0050.04.1808                |
| 1/4      | - 4     | 8  | 17   | 27   | 9   | 16  | 80.0050.04.1404                |
| 1/4      | - 6     | 8  | 21   | 28,5 | 11  | 16  | 80.0050.04.1406                |
| 1/4      | - 8     | 8  | 22,5 | 29   | 13  | 16  | 80.0050.04.1408                |
| 1/4      | - 10    | 8  | 26,5 | 31   | 16  | 16  | 80.0050.04.1410                |
| 3/8      | - 8     | 9  | 22,5 | 31   | 13  | 18  | 80.0050.04.3808                |
| 3/8      | - 10    | 9  | 26,5 | 33   | 16  | 18  | 80.0050.04.3810                |
| 3/8      | - 12    | 9  | 30,5 | 36   | 19  | 18  | 80.0050.04.3812                |
| 1/2      | - 8     | 10 | 22,5 | 32   | 13  | 22  | 80.0050.04.1208                |
| 1/2      | - 10    | 10 | 26,5 | 34   | 16  | 22  | 80.0050.04.1210                |
| 1/2      | - 12    | 10 | 30,5 | 37   | 19  | 22  | 80.0050.04.1212                |
| M12x1,25 | - 6     | 8  | 21   | 28   | 11  | 16  | 80.0050.04.1206                |
| M12x1,5  | - 6     | 8  | 21   | 28   | 11  | 16  | 80.0050.04.1306                |

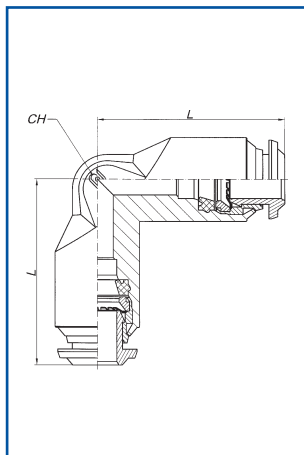


## 80.0050.06

PRZYŁĄCZKA KĄTOWA WTYKOWA PRZEDŁUŻONA DO PRZEWODÓW Z TWORZYW SZTUCZNYCH Z GWINTEM G 1/8 DO G 3/8

EXTENDED ORIENTING ELBOW MALE ADAPTOR (PARALLEL)

| G   | PRZEWÓD |   |      |      |     |     | Nr zamówieniowy<br>Code number |
|-----|---------|---|------|------|-----|-----|--------------------------------|
|     | TUBE    | B | L1   | L2   | CH1 | CH2 |                                |
| 1/8 | - 4     | 6 | 17   | 37,5 | 9   | 13  | 80.0050.06.1804                |
| 1/8 | - 6     | 6 | 21   | 39,5 | 11  | 16  | 80.0050.06.1806                |
| 1/8 | - 8     | 6 | 22,5 | 41   | 13  | 13  | 80.0050.06.1808                |
| 1/4 | - 4     | 8 | 17   | 45   | 9   | 16  | 80.0050.06.1404                |
| 1/4 | - 6     | 8 | 21   | 46   | 13  | 16  | 80.0050.06.1406                |
| 1/4 | - 8     | 8 | 22,5 | 47   | 13  | 16  | 80.0050.06.1408                |
| 1/4 | - 10    | 8 | 26,5 | 49   | 16  | 16  | 80.0050.06.1410                |
| 3/8 | - 8     | 9 | 22,5 | 49,5 | 13  | 18  | 80.0050.06.3808                |
| 3/8 | - 10    | 9 | 26,5 | 51,5 | 16  | 18  | 80.0050.06.3810                |

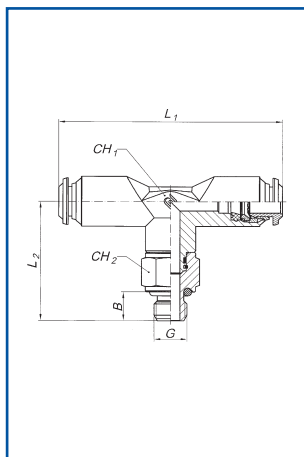


## 80.0050.09

ŁĄCZNIK WTYKOWY TYPU L DO PRZEWODÓW Z TWORZYW SZTUCZNYCH

ELBOW CONNECTOR

| PRZEWÓD<br>TUBE | L    | CH | Nr zamówieniowy<br>Code number |
|-----------------|------|----|--------------------------------|
| 4               | 17   | 9  | 80.0050.09.04                  |
| 6               | 21   | 11 | 80.0050.09.06                  |
| 8               | 22,5 | 13 | 80.0050.09.08                  |
| 10              | 26,5 | 16 | 80.0050.09.10                  |
| 12              | 30,5 | 19 | 80.0050.09.12                  |

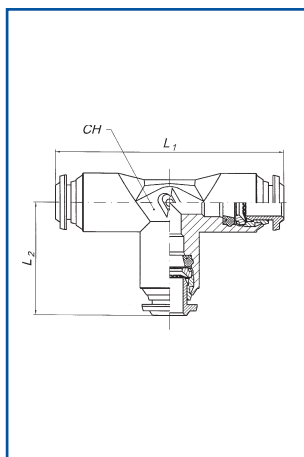


## 80.0050.10

ŁĄCZNIK WTYKOWY TYPU T DO PRZEWODÓW Z TWORZYW SZTUCZNYCH Z GWINTEM G 1/8 DO G 3/8

ORIENTING TEE MALE ADAPTOR (PARALLEL) – CENTRE LEG

| G   | PRZEWÓD<br>TUBE | B | L1 | L2   | CH1 | CH2 | Nr zamówieniowy<br>Code number |
|-----|-----------------|---|----|------|-----|-----|--------------------------------|
| 1/8 | - 4             | 6 | 34 | 22,5 | 9   | 13  | 80.0050.10.1804                |
| 1/8 | - 6             | 6 | 42 | 24,5 | 11  | 13  | 80.0050.10.1806                |
| 1/8 | - 8             | 6 | 45 | 26   | 13  | 13  | 80.0050.10.1808                |
| 1/4 | - 6             | 8 | 42 | 28   | 11  | 16  | 80.0050.10.1406                |
| 1/4 | - 8             | 8 | 45 | 29   | 13  | 16  | 80.0050.10.1408                |
| 1/4 | - 10            | 8 | 53 | 31   | 16  | 16  | 80.0050.10.1410                |
| 3/8 | - 8             | 8 | 50 | 24,5 | 12  | 19  | 80.0050.10.3808                |
| 3/8 | - 10            | 9 | 53 | 33   | 16  | 18  | 80.0050.10.3810                |
| 3/8 | - 12            | 9 | 61 | 36   | 19  | 18  | 80.0050.10.3812                |

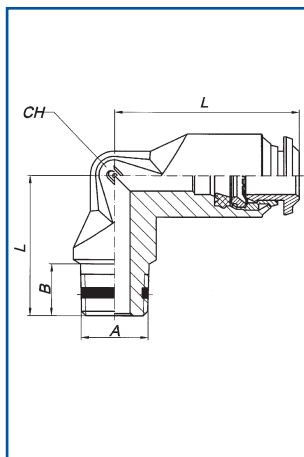


## 80.0050.11

ŁĄCZNIK WTYKOWY TYPU T DO PRZEWODÓW Z TWORZYW SZTUCZNYCH

TEE CONNECTOR

| PRZEWÓD<br>TUBE | L1 | L2   | CH | Nr zamówieniowy<br>Code number |
|-----------------|----|------|----|--------------------------------|
| 4               | 34 | 17   | 9  | 80.0050.11.04                  |
| 6               | 42 | 21   | 11 | 80.0050.11.06                  |
| 8               | 45 | 22,5 | 13 | 80.0050.11.08                  |
| 10              | 53 | 26,5 | 16 | 80.0050.11.10                  |
| 12              | 61 | 30,5 | 19 | 80.0050.11.12                  |

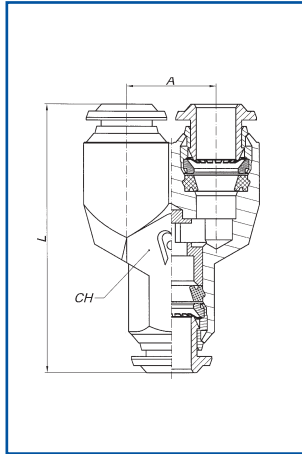


## 80.0050.05

PRZYŁĄCZKA KĄTOWA WTYKOWA DO PRZEWODÓW Z TWORZYW SZTUCZNYCH Z GWINTEM STOŻKOWYM G 1/8 DO G 3/8

ELBOW MALE ADAPTOR (TAPER)

| A   | PRZEWÓD<br>TUBE | B    | L1   | L2   | CH | Nr zamówieniowy<br>Code number |
|-----|-----------------|------|------|------|----|--------------------------------|
| 1/8 | - 4             | 7,5  | 17   | 15,5 | 9  | 80.0050.05.1804                |
| 1/8 | - 6             | 7,5  | 21   | 17,5 | 11 | 80.0050.05.1806                |
| 1/8 | - 8             | 7,5  | 22,5 | 19   | 13 | 80.0050.05.1808                |
| 1/4 | - 6             | 11   | 21   | 21,5 | 11 | 80.0050.05.1406                |
| 1/4 | - 8             | 11   | 22,5 | 21,5 | 13 | 80.0050.05.1408                |
| 1/4 | - 10            | 11   | 26,5 | 24,5 | 16 | 80.0050.05.1410                |
| 1/4 | - 12            | 11   | 30,5 | 28   | 19 | 80.0050.05.1412                |
| 3/8 | - 8             | 11,5 | 25   | 23,5 | 12 | 80.0050.05.3808                |
| 3/8 | - 10            | 11,5 | 26,5 | 24   | 16 | 80.0050.05.3810                |
| 3/8 | - 12            | 11,5 | 30,5 | 28   | 19 | 80.0050.05.3812                |

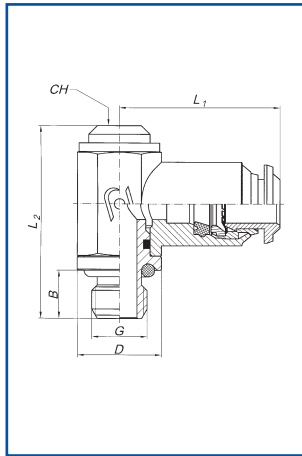


## 80.0050.12

ŁĄCZNIK WTYKOWY TYPU „Y” DO PRZEWODÓW Z TWORZYW SZTUCZNYCH

Y TYPE CONNECTOR

| PRZEWÓD<br>TUBE | A    | L    | CH   | Nr zamówieniowy<br>Code number |
|-----------------|------|------|------|--------------------------------|
| 4               | 11   | 32   | 9    | 80.0050.12.04                  |
| 6               | 13,5 | 36,5 | 11   | 80.0050.12.06                  |
| 8               | 15,5 | 41   | 13   | 80.0050.12.08                  |
| 10              | 15,5 | 55   | 17,5 | 80.0050.12.10                  |
| 10              | 20   | 18   | 17,8 | 80.0050.12.10A                 |
| 12              | 22   | 58   | 19,6 | 80.0050.12.12A                 |

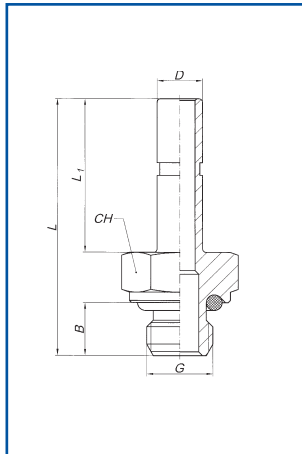


## 80.0050.13

PRZYŁĄCZKA KĄTOWA WTYKOWA OBROTOWA DO PRZEWODÓW Z TWORZYW SZTUCZNYCH Z GWINTEM M5 DO G 3/8

ORIENTING SINGLE BANJO BODY MALE

| G   | PRZEWÓD |   |      |      |    |    | Nr zamówieniowy<br>Code number |
|-----|---------|---|------|------|----|----|--------------------------------|
|     | TUBE    | B | L1   | L2   | D  | CH |                                |
| M5  | - 4     | 5 | 19   | 24,5 | 9  | -  | 80.0050.13.0504                |
| M5  | - 6     | 5 | 20,5 | 24,5 | 9  | -  | 80.0050.13.0506                |
| 1/8 | - 4     | 6 | 21   | 27   | 14 | 5  | 80.0050.13.1804                |
| 1/8 | - 6     | 6 | 22,5 | 27   | 14 | 5  | 80.0050.13.1806                |
| 1/8 | - 8     | 6 | 24   | 27   | 14 | 5  | 80.0050.13.1808                |
| 1/4 | - 6     | 8 | 25   | 30   | 18 | 6  | 80.0050.13.1406                |
| 1/4 | - 8     | 8 | 26   | 30   | 18 | 6  | 80.0050.13.1408                |
| 1/4 | - 10    | 8 | 29   | 30   | 18 | 6  | 80.0050.13.1410                |
| 1/4 | - 12    | 8 | 30,5 | 30   | 18 | 6  | 80.0050.13.1412                |
| 3/8 | - 8     | 9 | 28   | 35,5 | 21 | 7  | 80.0050.13.3808                |
| 3/8 | - 10    | 9 | 30,5 | 35,5 | 21 | 7  | 80.0050.13.3810                |
| 3/8 | - 12    | 9 | 61   | 36   | 19 | 18 | 80.0050.13.3812                |

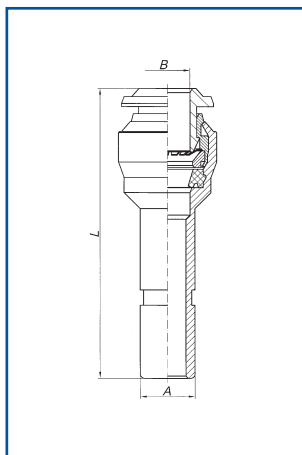


## 80.0050.14

KRÓCIEC DO PRZYŁĄCZEK WTYKOWYCH Z GWINTEM M5 DO G 3/8

MALE ADAPTOR PARALLEL

| G   | PRZEWÓD |   |      |      |    |    | Nr zamówieniowy<br>Code number |
|-----|---------|---|------|------|----|----|--------------------------------|
|     | TUBE    | D | B    | L    | L1 | CH |                                |
| M5  | - 4     | 5 | 25   | 15   | 8  |    | 80.0050.14.0504                |
| 1/8 | - 4     | 6 | 21   | 27   | 5  |    | 80.0050.14.1804                |
| 1/8 | - 6     | 6 | 22,5 | 27   | 5  |    | 80.0050.14.1806                |
| 1/8 | - 8     | 6 | 24   | 27   | 5  |    | 80.0050.14.1808                |
| 1/4 | - 6     | 8 | 25   | 30   | 6  |    | 80.0050.14.1406                |
| 1/4 | - 8     | 8 | 26   | 30   | 6  |    | 80.0050.14.1408                |
| 1/4 | - 10    | 8 | 29   | 30   | 6  |    | 80.0050.14.1410                |
| 1/4 | - 12    | 8 | 30,5 | 30   | 6  |    | 80.0050.14.1412                |
| 3/8 | - 8     | 9 | 28   | 35,5 | 7  |    | 80.0050.14.3808                |
| 3/8 | - 10    | 9 | 30,5 | 35,5 | 7  |    | 80.0050.14.3810                |
| 3/8 | - 12    | 9 | 61   | 36   | 18 |    | 80.0050.14.3812                |

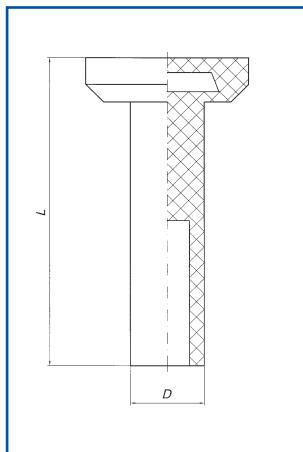
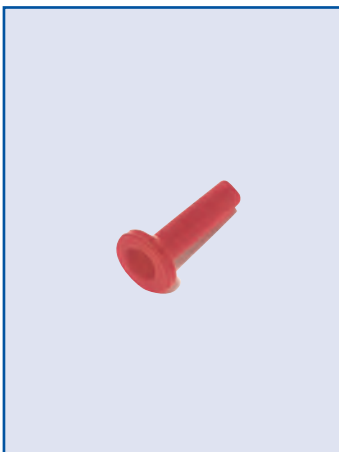


## 80.0050.15

REDUKCJA DO PRZYŁĄCZEK WTYKOWYCH

MALE ADAPTOR PARALLEL

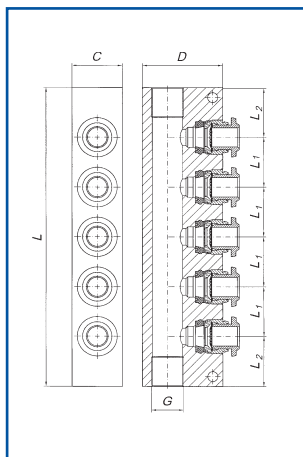
| Przewód<br>TUBE | A | B  | L  | Nr zamówieniowy<br>Code number |
|-----------------|---|----|----|--------------------------------|
| 6               | - | 4  | 30 | 80.0050.15.0604                |
| 8               | - | 4  | 33 | 80.0050.15.0804                |
| 8               | - | 6  | 34 | 80.0050.15.0806                |
| 10              | - | 4  | 32 | 80.0050.15.1004                |
| 10              | - | 6  | 38 | 80.0050.15.1006                |
| 10              | - | 8  | 38 | 80.0050.15.1008                |
| 12              | - | 6  | 39 | 80.0050.15.1206                |
| 12              | - | 8  | 39 | 80.0050.15.1208                |
| 12              | - | 10 | 39 | 80.0050.15.1210                |



## 80.8610

ZACIEPKA DO PRZYŁĄCZEK WTYKOWYCH  
PLUG

| Przewód<br>TUBE D | L    | Nr zamówieniowy<br>Code number |
|-------------------|------|--------------------------------|
| 4                 | 23,5 | 80.8610.04                     |
| 6                 | 24,5 | 80.8610.06                     |
| 8                 | 26   | 80.8610.08                     |
| 10                | 28,5 | 80.8610.10                     |
| 12                | 30,5 | 80.8610.12                     |



## 80.0503

KOLEKTOR WTYKOWY 5 - DROGOWY Z GWINTEM G 1/8 I G 1/4  
ALUMINIUM MANIFOLD 5 WAYS

| G   | PRZEWÓD |   | C  | D  | L   | L1   | L2   | Nr zamówieniowy<br>Code number |
|-----|---------|---|----|----|-----|------|------|--------------------------------|
|     | TUBE    |   |    |    |     |      |      |                                |
| 1/8 | -       | 4 | 15 | 25 | 75  | 12   | 13,5 | 80.0503.18.04                  |
| 1/8 | -       | 6 | 15 | 25 | 90  | 14,5 | 16   | 80.0503.18.06                  |
| 1/4 | -       | 6 | 20 | 30 | 90  | 14,5 | 16   | 80.0503.14.06                  |
| 1/4 | -       | 8 | 20 | 30 | 100 | 16   | 18   | 80.0503.14.08                  |



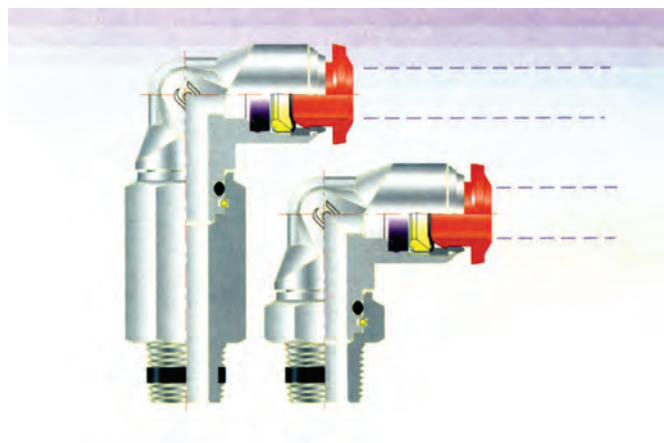
## 80.5099.4-14

KLUCZ DO DEMONTAŻU PRZEWODÓW  
TOOL FOR DISASSEMBLING

| Numer zamówieniowy<br>Code number | 80.5099.4-14 |
|-----------------------------------|--------------|
|-----------------------------------|--------------|

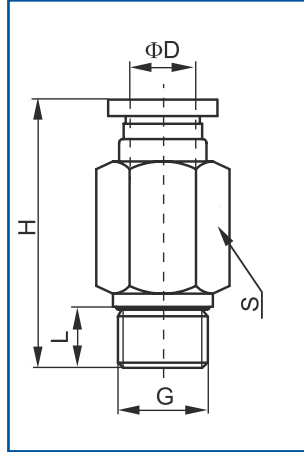
Używając dwóch typów przyłczek kątowych (80.0050.04 i 80.0050.06) można prowadzić instalacje pneumatyczne w miejscach o utrudnionym dostępie.

*Using the two versions of swivel fittings with simple or expanded base, it is possible to make compact installations of departure elbow, keeping at the minimum the dimensions.*



# 84.0050.01

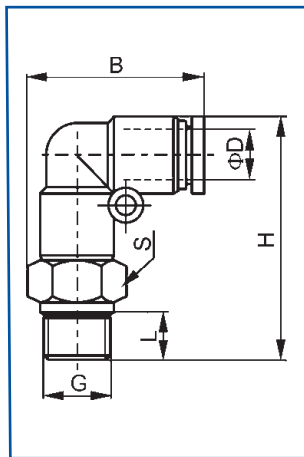
PRZYŁĄCZKA PROSTA WTYKOWA DO PRZEWODÓW  
M5 DO G1/2 TWORZYWOWA  
STRAIGHT MALE ADAPTOR



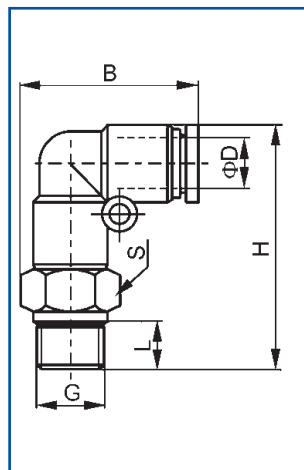
| G    | ΦD | H    | L    | S  | NR ZAMÓWIENIOWY |
|------|----|------|------|----|-----------------|
| M5   | 4  | 19,2 | 3,9  | 10 | 84.0050.01.0504 |
| G1/8 |    | 19,2 | 5,4  | 14 | 84.0050.01.1804 |
| G1/4 |    | 17,7 | 7,4  | 17 | 84.0050.01.1404 |
| M5   | 6  | 20,8 | 3,9  | 12 | 84.0050.01.0506 |
| G1/8 |    | 20,3 | 5,4  | 14 | 84.0050.01.1806 |
| G1/4 |    | 22,2 | 7,4  | 17 | 84.0050.01.1406 |
| G3/8 | 8  | 20,7 | 8,5  | 20 | 84.0050.01.3806 |
| G1/2 |    | 24,8 | 11,2 | 24 | 84.0050.01.3806 |
| G1/8 |    | 25,8 | 5,4  | 14 | 84.0050.01.1808 |
| G1/4 | 8  | 24,2 | 7,4  | 17 | 84.0050.01.1408 |
| G3/8 |    | 21,3 | 8,5  | 20 | 84.0050.01.3808 |
| G1/2 |    | 25,7 | 11   | 24 | 84.0050.01.1208 |
| G1/8 | 10 | 27,3 | 5,4  | 17 | 84.0050.01.1810 |
| G1/4 |    | 29,4 | 7,4  | 17 | 84.0050.01.1410 |
| G3/8 |    | 27,1 | 8,5  | 20 | 84.0050.01.3810 |
| G1/2 | 10 | 25,2 | 11   | 24 | 84.0050.01.1210 |
| G1/4 |    | 32,3 | 7,4  | 21 | 84.0050.01.1412 |
| G3/8 |    | 29,7 | 8,5  | 21 | 84.0050.01.3812 |
| G1/2 | 12 | 32,4 | 11   | 24 | 84.0050.01.1212 |
| G1/2 |    | 38,4 | 11   | 24 | 84.0050.01.1216 |

# 84.0050.04

PRZYŁĄCZKA KĄTOWA WTYKOWA DO PRZEWODÓW  
Z GWINTEM M5 DO G1/2 TWORZYWOWA



| G    | ΦD | L   | S  | B    | H    | NR ZAMÓWIENIOWY        |
|------|----|-----|----|------|------|------------------------|
| M5   | 4  | 3,9 | 8  | 22   | 23   | <b>84.0050.04.0504</b> |
| G1/8 |    | 5,5 | 14 | 25,5 | 30   | <b>84.0050.04.1804</b> |
| G1/4 |    | 7,4 | 17 | 26,6 | 32,3 | <b>84.0050.04.1404</b> |
| M5   | 6  | 3,9 | 8  | 23,5 | 23,8 | <b>84.0050.04.0506</b> |
| G1/8 |    | 5,5 | 14 | 26,3 | 32,2 | <b>84.0050.04.1806</b> |
| G1/4 |    | 7,5 | 17 | 28,2 | 34,9 | <b>84.0050.04.1406</b> |
| G3/8 | 8  | 8,5 | 20 | 30,2 | 36,7 | <b>84.0050.04.3806</b> |
| G1/2 |    | 11  | 24 | 32   | 40,3 | <b>84.0050.04.1206</b> |
| G1/8 |    | 5,5 | 14 | 30,2 | 36,3 | <b>84.0050.04.1808</b> |
| G1/4 | 8  | 7,5 | 17 | 31,5 | 38,9 | <b>84.0050.04.1408</b> |
| G3/8 |    | 8,5 | 20 | 33,7 | 40,5 | <b>84.0050.04.3808</b> |
| G1/2 |    | 11  | 24 | 36   | 44,2 | <b>84.0050.04.1208</b> |
| G1/8 | 10 | 5,5 | 14 | 36,5 | 43,2 | <b>84.0050.04.1810</b> |
| G1/4 |    | 7,5 | 17 | 35,8 | 45   | <b>84.0050.04.1410</b> |
| G3/8 |    | 8,5 | 20 | 38,2 | 46   | <b>84.0050.04.3810</b> |
| G1/2 | 10 | 11  | 24 | 40,7 | 50,4 | <b>84.0050.04.1210</b> |
| G1/4 |    | 7,5 | 21 | 41,2 | 48,2 | <b>84.0050.04.1412</b> |
| G3/8 |    | 8,5 | 21 | 41   | 49,5 | <b>84.0050.04.3812</b> |
| G1/2 | 12 | 11  | 24 | 42,3 | 53,3 | <b>84.0050.04.1212</b> |
| G1/2 |    | 11  | 24 | 45,5 | 58,5 | <b>84.0050.04.1216</b> |

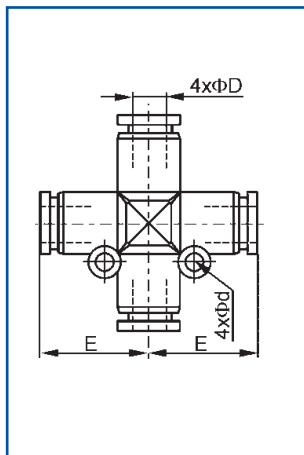


# 84.0050.06

PRZYŁĄCZKA KĄTOWA WTYKOWA PRZEDŁUŻONA  
Z GWINTEM M5 DO G1/2 TWORZYWOWA  
EXTENDED ELBOW MALE ADAPTOR

| G    | ΦD | B    | H    | L   | NR ZAMÓWIENIOWY |
|------|----|------|------|-----|-----------------|
| G1/8 | 4  | 25,9 | 41,2 | 5,5 | 84.0050.06.1804 |
| G1/4 |    | 27,3 | 44,5 | 7,5 | 84.0050.06.1404 |
| G1/8 |    | 26,8 | 46   | 5,5 | 84.0050.06.1806 |
| G1/4 | 6  | 28,7 | 48,7 | 7,5 | 84.0050.06.1406 |
| G3/8 |    | 29,9 | 50,2 | 8,5 | 84.0050.06.3806 |
| G1/8 |    | 29,9 | 51,8 | 5,5 | 84.0050.06.1808 |
| G1/4 | 8  | 31,2 | 54,3 | 7,5 | 84.0050.06.1408 |
| G3/8 |    | 33,5 | 55,9 | 8,5 | 84.0050.06.3808 |
| G1/4 |    | 37,8 | 65,3 | 7,5 | 84.0050.06.1410 |
| G3/8 | 10 | 39,1 | 66,5 | 8,5 | 84.0050.06.3810 |
| G1/2 |    | 40,6 | 69,9 | 11  | 84.0050.06.1210 |
| G3/8 |    | 41,5 | 73,4 | 8,5 | 84.0050.06.3812 |
| G1/2 | 12 | 42,6 | 76,2 | 11  | 84.0050.06.1212 |



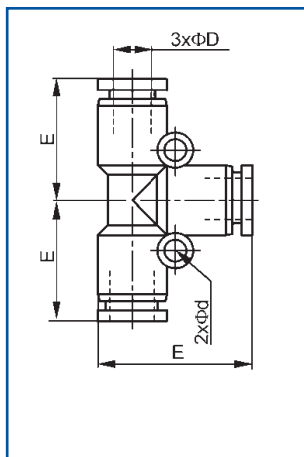


## 84.0050.18

CZWÓRNIK WTYKOWY DO PRZEWODÓW Z TWORZYW SZTUCZNYCH O ŚREDNICACH  $\Phi 4 - \Phi 12$

CONNECTOR

| $\Phi D$ | $\Phi d$ | E     | NR ZAMÓWIENIOWY |
|----------|----------|-------|-----------------|
| 4        | 3,2      | 17,5  | 84.0050.18.04   |
| 6        | 3,2      | 19,3  | 84.0050.18.06   |
| 8        | 3,2      | 22,75 | 84.0050.18.08   |
| 10       | 4,2      | 28,3  | 84.0050.18.10   |
| 12       | 4,3      | 29,6  | 84.0050.18.12   |

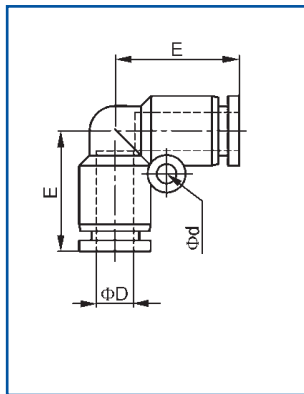
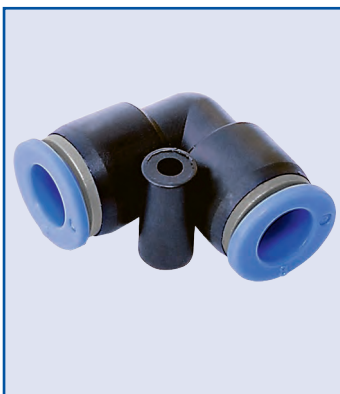


## 84.0050.11

TRÓJNIK WTYKOWY TYPU T DO PRZEWODÓW O ŚREDNICACH  $\Phi 4 - \Phi 12$  TWORZYWOWY

T CONNECTOR

| $\Phi D$ | $\Phi d$ | E    | NR ZAMÓWIENIOWY |
|----------|----------|------|-----------------|
| 4        | 3,2      | 18,5 | 84.0050.11.04   |
| 6        | 3,2      | 19,3 | 84.0050.11.06   |
| 8        | 3,2      | 22   | 84.0050.11.08   |
| 10       | 4,2      | 27,5 | 84.0050.11.10   |
| 12       | 4,3      | 28,9 | 84.0050.11.12   |
| 16       | 5        | 32,3 | 84.0050.11.16   |

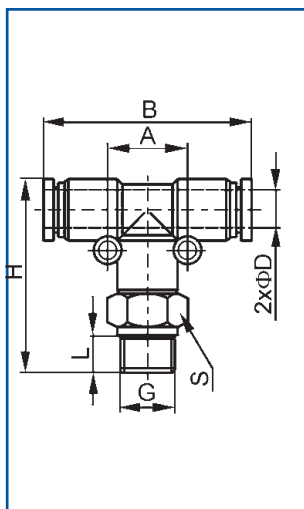


## 84.0050.09

ŁĄCZNIK KĄTOWY TYPU L DO PRZEWODÓW Z TWORZYW SZTUCZNYCH O ŚREDNICACH  $\Phi 4$  I  $\Phi 12$

ELBOW CONNECTOR

| $\Phi D$ | $\Phi d$ | E    | NR ZAMÓWIENIOWY |
|----------|----------|------|-----------------|
| 4        | -        | 17,5 | 84.0050.09.04   |
| 6        | 3,2      | 19   | 84.0050.09.06   |
| 8        | 3,2      | 22,8 | 84.0050.09.08   |
| 10       | 4,2      | 27,6 | 84.0050.09.10   |
| 12       | 4,3      | 29,6 | 84.0050.09.12   |

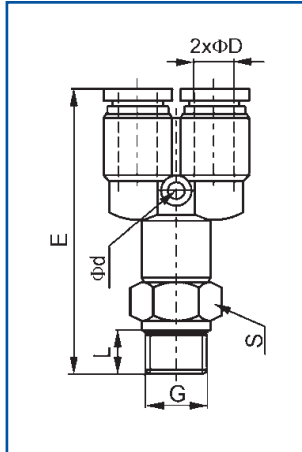


## 84.0050.10

TRÓJNIK TYPU T Z GWINTEM G1/8 DO G1/2 DO PRZEWODÓW Z TWORZYW SZTUCZNYCH

T-TYPE CONNECTOR THREADED

| G    | $\Phi D$ | H    | L   | S  | B    | A    | NR ZAMÓWIENIOWY |
|------|----------|------|-----|----|------|------|-----------------|
| G1/8 | 4        | 31,1 | 5,4 | 14 | 36,5 | 13,7 | 84.0050.10.1804 |
| G1/8 | 6        | 32,9 | 5,4 | 14 | 38,4 | 15,7 | 84.0050.10.1806 |
| G1/4 | 6        | 35,3 | 7,5 | 17 | 38,2 | 15,8 | 84.0050.10.1406 |
| G3/8 | 6        | 36,8 | 8,5 | 20 | 38,2 | 15,8 | 84.0050.10.3806 |
| G1/8 | 8        | 36,4 | 5,5 | 14 | 44,4 | 17,5 | 84.0050.10.1808 |
| G1/4 | 8        | 38,8 | 7,5 | 17 | 44,7 | 17,3 | 84.0050.10.1408 |
| G3/8 | 8        | 40,4 | 8,5 | 20 | 44,7 | 17,4 | 84.0050.10.3808 |
| G1/8 | 10       | 44   | 5,5 | 17 | 55,3 | 23,7 | 84.0050.10.1810 |
| G1/4 | 10       | 45,9 | 7,5 | 17 | 55,3 | 23,7 | 84.0050.10.1410 |
| G3/8 | 10       | 47,3 | 8,5 | 20 | 55,2 | 23,3 | 84.0050.10.3810 |
| G1/2 | 10       | 51,1 | 11  | 24 | 55,3 | 23,7 | 84.0050.10.1210 |
| G1/4 | 12       | 48,6 | 7,5 | 17 | 58,5 | 26,6 | 84.0050.10.1412 |
| G3/8 | 12       | 49,5 | 8,5 | 20 | 58,2 | 26,4 | 84.0050.10.3812 |
| G1/2 | 12       | 53,6 | 11  | 24 | 58,2 | 26,6 | 84.0050.10.1212 |

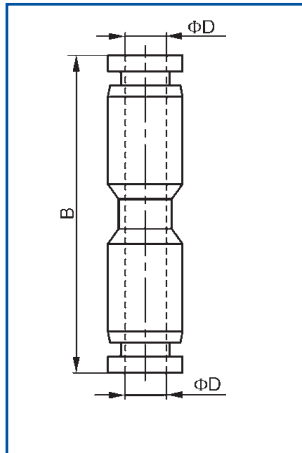


## 84.0050.17

TRÓJNIK TYPU Y Z GWINTEM G1/8 DO G1/2 DO PRZEWODÓW Z TWORZYW SZTUCZNYCH

Y-TYPE CONNECTOR THREADED

| G    | ΦD | Φd  | S  | L   | NR ZAMÓWIENIOWY |
|------|----|-----|----|-----|-----------------|
| G1/8 | 6  | 3,2 | 14 | 5,5 | 84.0050.17.1806 |
| G1/4 |    | 3,2 | 17 | 7,4 | 84.0050.17.1406 |
| G3/8 |    | 3,2 | 20 | 8,5 | 84.0050.17.3806 |
| G1/8 | 8  | 3,2 | 14 | 5,5 | 84.0050.17.1808 |
| G1/4 |    | 3,2 | 17 | 7,4 | 84.0050.17.1408 |
| G3/8 |    | 3,2 | 20 | 8,5 | 84.0050.17.3808 |
| G1/2 | 10 | 3,2 | 24 | 11  | 84.0050.17.1208 |
| G3/8 |    | 4,2 | 20 | 8,5 | 84.0050.17.3810 |
| G1/2 |    | 4,2 | 24 | 11  | 84.0050.17.1210 |

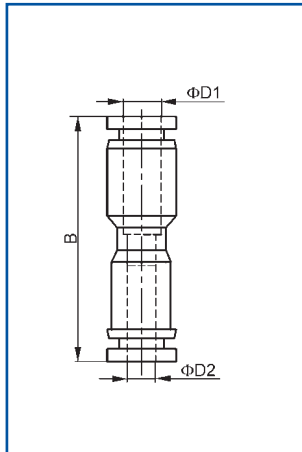


## 84.0050.07

ŁĄCZNIK PROSTY DO PRZEWODÓW Z TWORZYW SZTUCZNYCH O ŚREDNICACH Φ 4 - Φ 12

STRAIGHT CONNECTOR

| ΦD | B    | NR ZAMÓWIENIOWY |
|----|------|-----------------|
| 4  | 33   | 84.0050.07.04   |
| 6  | 35,2 | 84.0050.07.06   |
| 8  | 38,3 | 84.0050.07.08   |
| 10 | 47,8 | 84.0050.07.10   |
| 12 | 48,7 | 84.0050.07.12   |

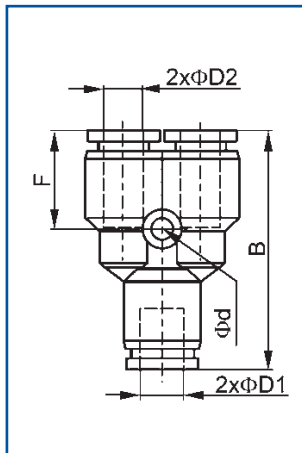


## 84.0050.19

ŁĄCZNIK PROSTY REDUKCYJNY DO PRZEWODÓW Z TWORZYW SZTUCZNYCH O ŚREDNICACH Φ 4 - Φ 12

STRAIGHT REDUCER CONNECTOR

| ΦD1 | ΦD2 | B    | NR ZAMÓWIENIOWY |
|-----|-----|------|-----------------|
| 6   | 4   | 34,9 | 84.0050.19.0604 |
| 8   | 6   | 34,7 | 84.0050.19.0806 |
| 10  | 8   | 39,5 | 84.0050.19.1008 |
| 12  | 10  | 48,9 | 84.0050.19.1210 |
| 12  | 16  | 48,9 | 84.0050.19.1216 |



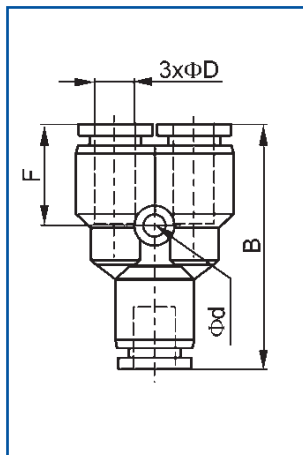
## 84.0050.16

ŁĄCZNIK REDUKCYJNY TYPU Y DO PRZEWODÓW Z TWORZYW SZTUCZNYCH O ŚREDNICACH Φ 4 I Φ 12

Y-TYPE REDUCER CONNECTOR

| ΦD1 | ΦD2 | B    | F    | Φd  | NR ZAMÓWIENIOWY |
|-----|-----|------|------|-----|-----------------|
| 6   | 4   | 36,8 | 14,5 | 3,2 | 84.0050.16.0604 |
| 8   | 6   | 39,9 | 16,9 | 3,2 | 84.0050.16.0806 |
| 10  | 8   | 48,2 | 20,3 | 4,2 | 84.0050.16.1008 |
| 12  | 10  | 51,9 | 20,6 | 4,2 | 84.0050.16.1210 |

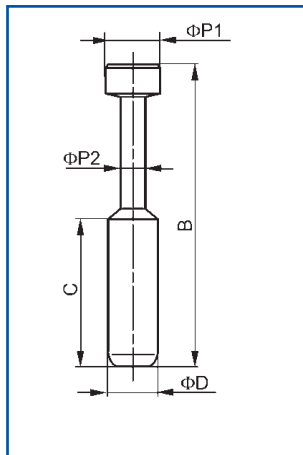




## 84.0050.12

TRÓJNIK TYPU Y DO PRZEWODÓW Z TWORZYW SZTUCZNYCH O ŚREDNICACH  $\Phi 4$  I  $\Phi 12$   
Y-TYPE CONNECTOR

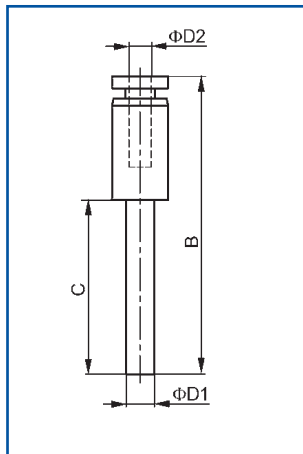
| $\Phi D$ | $\Phi d$ | F    | B    | NR ZAMÓWIENIOWY |
|----------|----------|------|------|-----------------|
| 4        | 3,2      | 13,9 | 35,5 | 84.0050.12.04   |
| 6        | 3,2      | 15,1 | 37,1 | 84.0050.12.06   |
| 8        | 3,2      | 18,3 | 40,3 | 84.0050.12.08   |
| 10       | 4,2      | 20,6 | 49,3 | 84.0050.12.10   |
| 12       | 4,2      | 20,9 | 51,9 | 84.0050.12.12   |



## 84.8610

ZĄSŁEPKA DO ZŁĄCZEK WTYKOWYCH O ŚREDNICACH  $\Phi 4 - \Phi 12$   
PLUGS

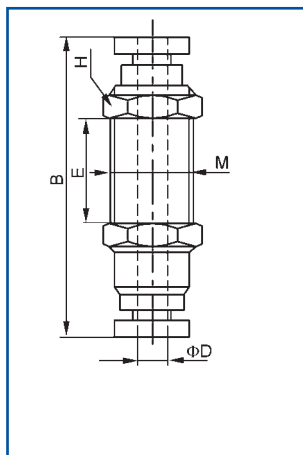
| $\Phi D$ | B  | C    | $\Phi P1$ | $\Phi P2$ | NR ZAMÓWIENIOWY |
|----------|----|------|-----------|-----------|-----------------|
| 4        | 28 | 15   | 5         | 3         | 84.8610.04      |
| 6        | 33 | 17   | 7         | 3         | 84.8610.06      |
| 8        | 37 | 18   | 9         | 4         | 84.8610.08      |
| 10       | 42 | 20,5 | 11        | 5         | 84.8610.10      |
| 12       | 44 | 23   | 13        | 6         | 84.8610.12      |



## 84.0050.15

REDUKCJA PROSTA DO PRZEWODÓW Z TWORZYW SZTUCZNYCH O ŚREDNICACH  $\Phi 4 - \Phi 12$   
REDUCER

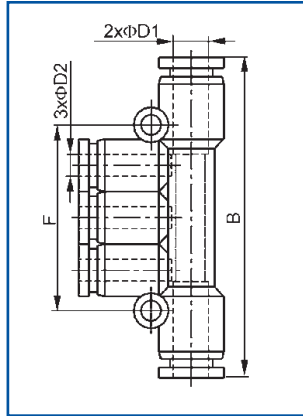
| $\Phi D1$ | $\Phi D2$ | C    | B    | NR ZAMÓWIENIOWY |
|-----------|-----------|------|------|-----------------|
| 6         | 4         | 16,3 | 39   | 84.0050.15.0604 |
| 8         | 6         | 17,2 | 42   | 84.0050.15.0806 |
| 10        | 8         | 20,1 | 47,2 | 84.0050.15.1008 |
| 12        | 10        | 22,4 | 51,7 | 84.0050.15.1210 |



## 84.0050.08

ZŁĄCZKA GRODZIOWA DO PRZEWODÓW Z TWORZYW SZTUCZNYCH O ŚREDNICACH  $\Phi 4 - \Phi 12$   
BULKHEAD CONNECTOR

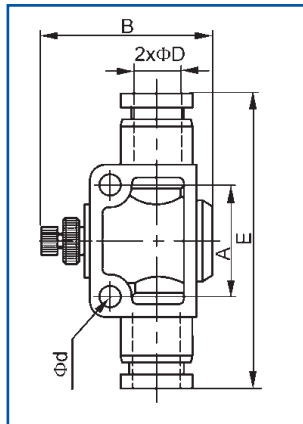
| M   | $\Phi D$ | H  | E    | B    | NR ZAMÓWIENIOWY |
|-----|----------|----|------|------|-----------------|
| M12 | 4        | 14 | 9,7  | 29,6 | 84.0050.08.04   |
| M14 | 6        | 17 | 7,5  | 31,8 | 84.0050.08.06   |
| M16 | 8        | 19 | 6,8  | 34,6 | 84.0050.08.08   |
| M20 | 10       | 24 | 11,5 | 38,5 | 84.0050.08.10   |
| M22 | 12       | 27 | 12,8 | 44,5 | 84.0050.08.12   |



## 84.0303.

KOLEKTOR  
MANIFOLD CONNECTOR

| ΦD1 | ΦD2 | B    | F  | NR ZAMÓWIENIOWY |
|-----|-----|------|----|-----------------|
| 6   | 4   | 57   | 36 | 84.0303.0604    |
| 8   | 4   | 62   | 42 | 84.0303.0804    |
| 8   | 6   | 62   | 42 | 84.0303.0806    |
| 10  | 6   | 80,9 | 47 | 84.0303.1006    |
| 10  | 8   | 80,9 | 47 | 84.0303.1008    |

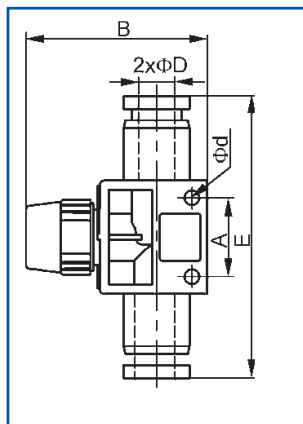


## 84.5001.

ZAWÓR DŁAWIĄCO-ZWROTNY WTYKOWY  
DO PRZEWODÓW Z TWORZYW SZTUCZNYCH  
O ŚREDNICACH Φ 4 - Φ 12

FLOW REGULATOR WITH NO-RETURN VALVE

| ΦD | φd  | A  | B    | E    | NR KATALOGOWY |
|----|-----|----|------|------|---------------|
| 4  | 3,2 | 14 | 26,7 | 38,6 | 84.5000.04    |
| 6  | 4,3 | 20 | 38,5 | 47   | 84.5000.06    |
| 8  | 4,3 | 22 | 39,7 | 51,7 | 84.5000.08    |
| 10 | 4,3 | 26 | 47,5 | 62   | 84.5000.10    |
| 12 | 4,3 | 32 | 50,6 | 73,8 | 84.5000.12    |

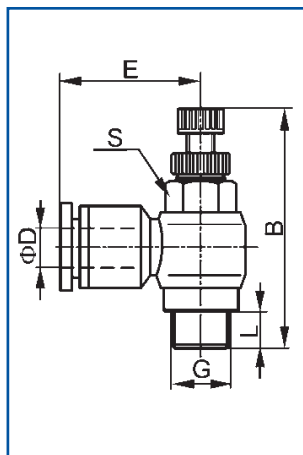


## 84.5001.

ZAWÓR ODCINAJĄCY WTYKOWY DO PRZEWODÓW Z TWORZYW SZTUCZNYCH O ŚREDNICACH Φ 4 - Φ 12

SHUT-OFF VALVE

| ΦD | E    | φd  | A    | B    | NR ZAMÓWIENIOWY |
|----|------|-----|------|------|-----------------|
| 6  | 52,1 | 4,2 | 16,5 | 40,6 | 84.5001.06      |
| 8  | 51,8 | 4,2 | 16,5 | 40,6 | 84.5001.08      |
| 10 | 63   | 4,2 | 21,5 | 45,1 | 84.5001.10      |
| 12 | 64,2 | 4,2 | 21,5 | 45,1 | 84.5001.12      |



## 84.5082.

ZAWÓR DŁAWIĄCO-ZWROTNY WKRĘCANY DO PRZEWODÓW Z TWORZYW SZTUCZNYCH O ŚREDNICACH Φ 4 - Φ 12

| G    | ΦD | L    | E    | B    | S  | NR ZAMÓWIENIOWY |
|------|----|------|------|------|----|-----------------|
| M5   | 4  | 4    | 19,9 | 27,7 | 8  | 84.5082.0504    |
| G1/8 |    | 5,5  | 22,1 | 34,8 | 10 | 84.5082.1804    |
| G1/4 |    | 8,6  | 24,1 | 42   | 14 | 84.5082.1404    |
| M5   | 6  | 4    | 20,4 | 27,2 | 8  | 84.5082.0506    |
| G1/8 |    | 6    | 22   | 35,3 | 10 | 84.5082.1806    |
| G1/4 |    | 8,4  | 24,4 | 41,8 | 14 | 84.5082.1406    |
| G3/8 | 8  | 9,4  | 25,8 | 47,8 | 19 | 84.5082.3806    |
| G1/2 |    | 12   | 29,6 | 51,6 | 24 | 84.5082.1206    |
| G1/8 |    | 6    | 23,8 | 35,8 | 10 | 84.5082.1808    |
| G1/4 | 10 | 8,5  | 26,8 | 41,4 | 14 | 84.5082.1408    |
| G3/8 |    | 9,6  | 29,3 | 48,7 | 19 | 84.5082.3808    |
| G1/2 |    | 12   | 32,5 | 52,3 | 24 | 84.5082.1208    |
| G1/4 | 12 | 8,6  | 29,8 | 42   | 14 | 84.5082.1410    |
| G3/8 |    | 9,5  | 32,5 | 46,8 | 19 | 84.5082.3810    |
| G1/2 |    | 11,9 | 34,3 | 51,3 | 24 | 84.5082.1210    |
| G1/4 | 12 | 12   | 33,5 | 41,8 | 14 | 84.5082.1412    |
| G3/8 |    | 9,4  | 34,7 | 48,9 | 19 | 84.5082.3812    |
| G1/2 |    | 11,6 | 36,6 | 50,5 | 24 | 84.5082.1212    |