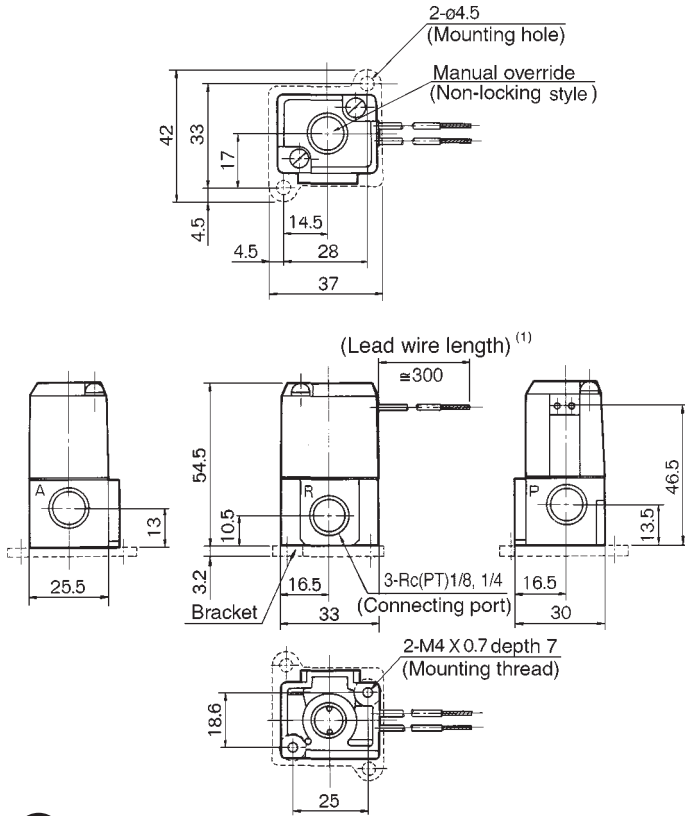


VT307

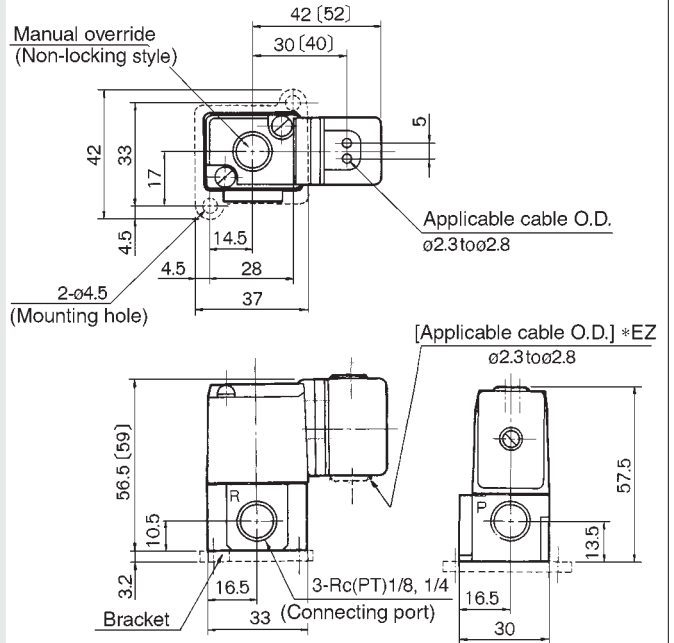
Dimensions (Interchangeable with "VT301" for mounting.)

Grommet: VT307-□G



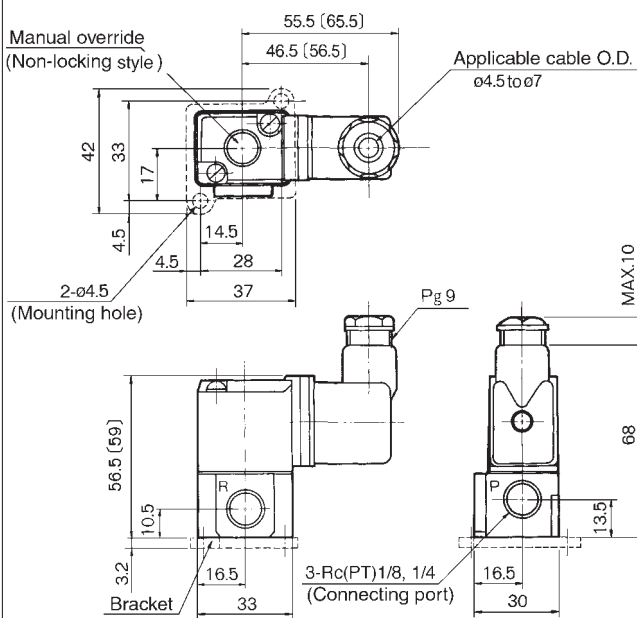
Note 1) There is also "VT307-□H" (lead wire length: 600 mm).

Grommet terminal: VT307-□E



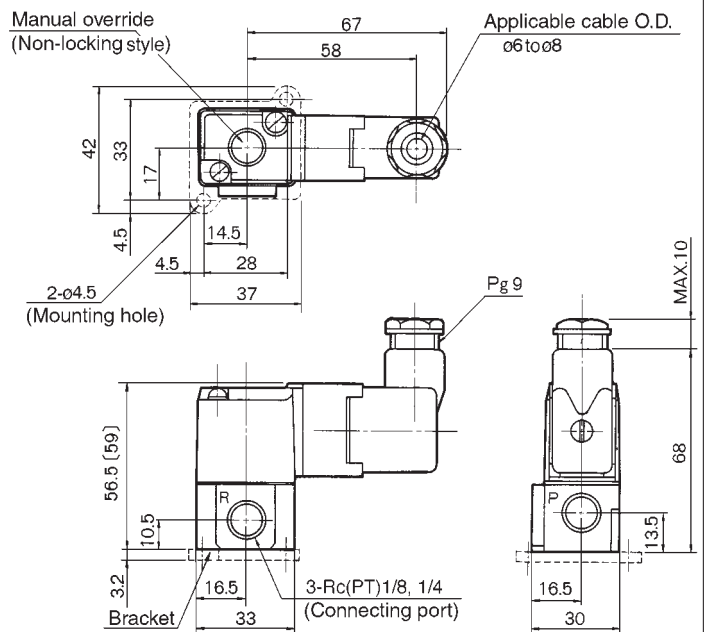
[]: With indicator light and surge voltage suppressor

Conduit terminal: VT307-□T



[]: With indicator light and surge voltage suppressor

DIN connector: VT307-□D

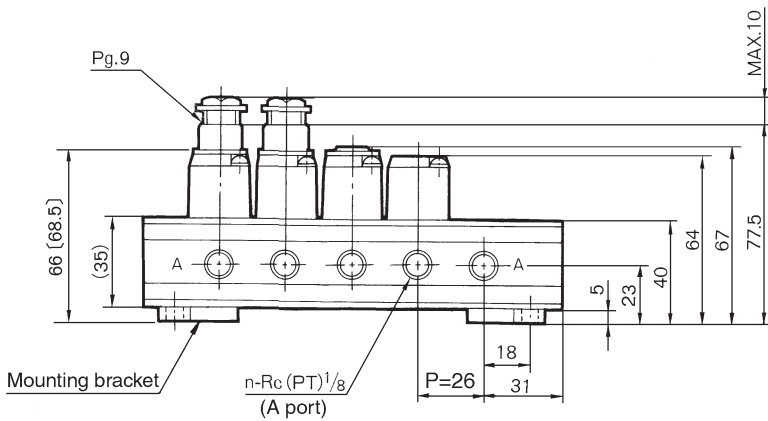
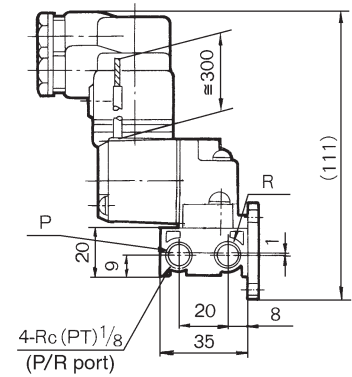
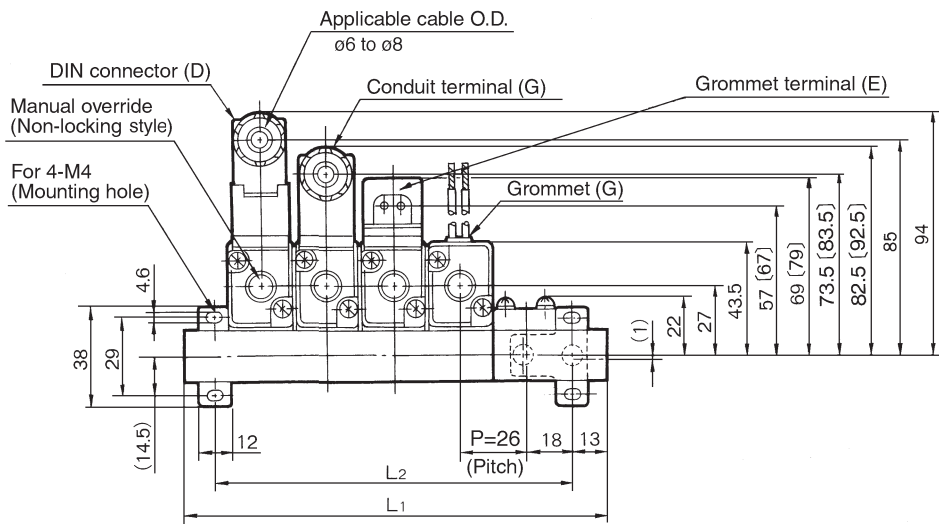
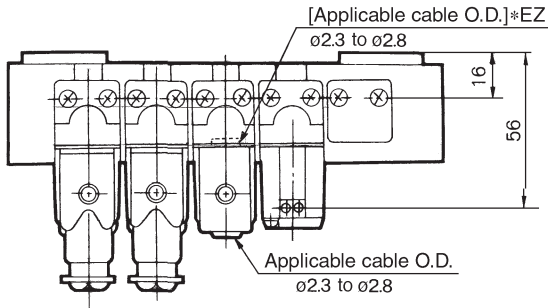


[]: With indicator light and surge voltage suppressor

VT307

Common Exhaust/Dimensions (Interchangeable with VT301 for mounting.)

VV307-01-□2-01-F



L: Dimensions (mm)

n: Station

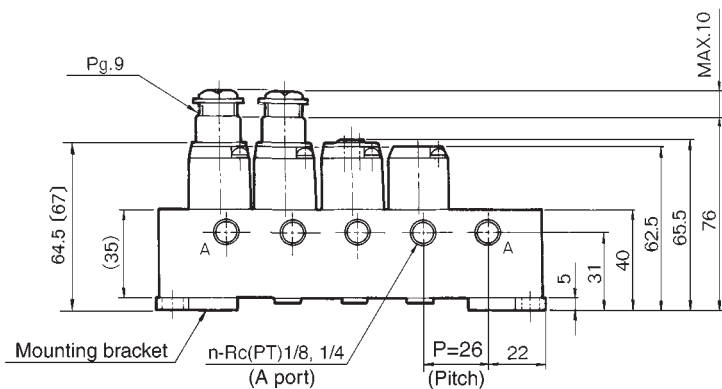
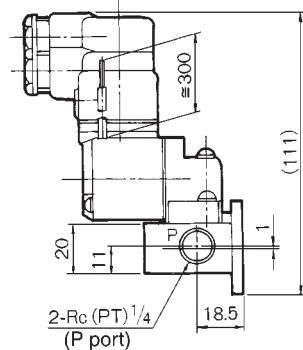
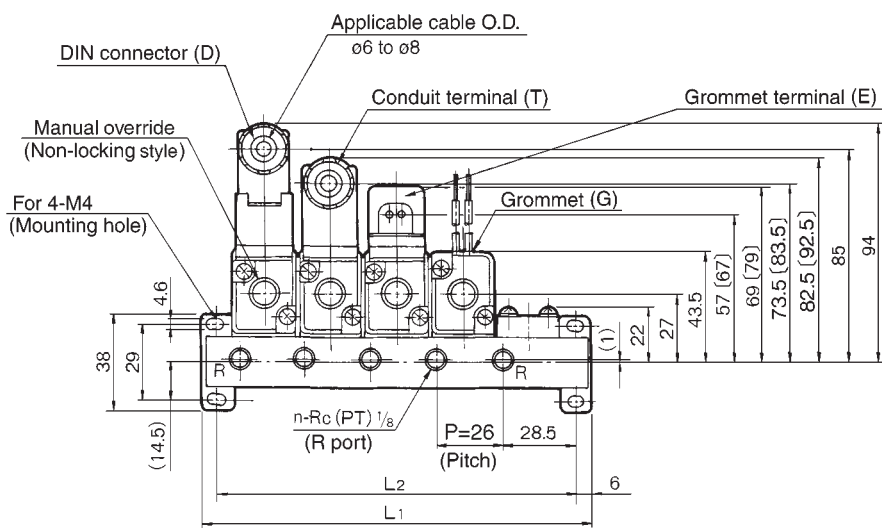
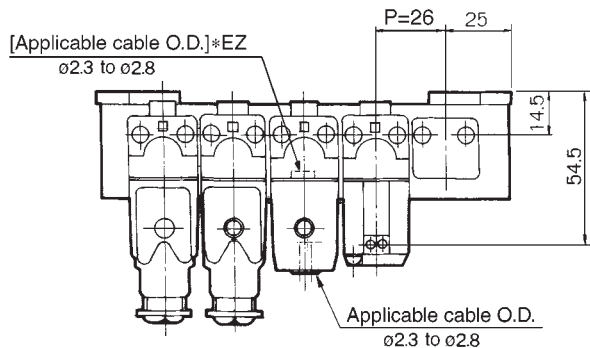
L	n	2	3	4	5	6	7	8	9	10	Equation
L ₁		88	114	140	166	192	218	244	270	296	L ₁ =26 X n+36
L ₂		62	88	114	140	166	192	218	244	270	L ₂ =26 X n+10



[]: With indicator light and surge voltage suppressor

Individual Exhaust/Dimensions (Interchangeable with VT301 for mounting)

VV307-01-□3-□-F



L:Dimensions (mm)

n: Station

L \ n	2	3	4	5	6	7	8	9	10	
L1	76	102	128	154	180	206	232	258	284	L1=26 X n+24
L2	64	90	116	142	168	194	220	246	272	L2=26 X n+12



[]: With indicator light and surge voltage suppressor

SY

SYJ

VK

VZ

VT

VT

VP

VG

VP

VQ

VQZ

VZ

VS