

# 3 Port Mechanical Valve/Heavy Duty Style

# Series VM800

**Sturdy Construction.**  
**NC and NO models available.**  
**Piping possible to any port.**  
**Many actuator positions and orientation options.**



## Specifications

Fluid	Air
Operating pressure	-100kPa to 1.0MPa
Ambient and fluid temperature	-5 to 60°C (No freezing)
Effective area (Nl/min)	6mm <sup>2</sup> (294.20)
Lubrication	Not required/Turbine oil #1 (ISO VG32)
Port size	1/8
Weight (Basic)	180g

## Model

Actuator	Model	Actuator part No.
Basic	<b>VM830-01-00</b>	—
Roller lever	<b>VM830-01-01</b>	VM-01F
Adjustable roller lever	<b>VM830-01-13</b>	VM-13F
Adjustable rod lever	<b>VM830-01-14</b>	VM-14F

Actuator replacement is available.

## How to Order

**E** VM8 3 0 - [ ] 01 - 01

**Area code**

-	Japan, Asia, Australia, England
<b>E</b>	Europe
<b>N</b>	North America

**Number of ports**

<b>3</b>	3 ports
----------	---------

**Thread**

-	Rc(PT)
<b>F</b>	G(PF)
<b>N</b>	NPT
<b>T</b>	NPTF

**Port size**

<b>01</b>	1/8
-----------	-----

**Actuator**

<b>00</b>	Basic
<b>01</b>	Roller lever
<b>13</b>	Adjustable roller lever
<b>14</b>	Adjustable rod lever

## Applications

**Movement is changeable**

Standard movements: Actuated, Actuated, Free travel, Actuated, Actuated, Free travel

Stepped plunger

Roller can be mounted to inside of lever

Undo screw to reverse lever

Undo screw to reverse lever

**Lever length adjustment**

MAX 1412

Undo screw to adjust rod length

It can be operated by bending the rod. In this case, make sure that the minimum bending radius of the rod is 10R or more.

**Lever location can be changed**

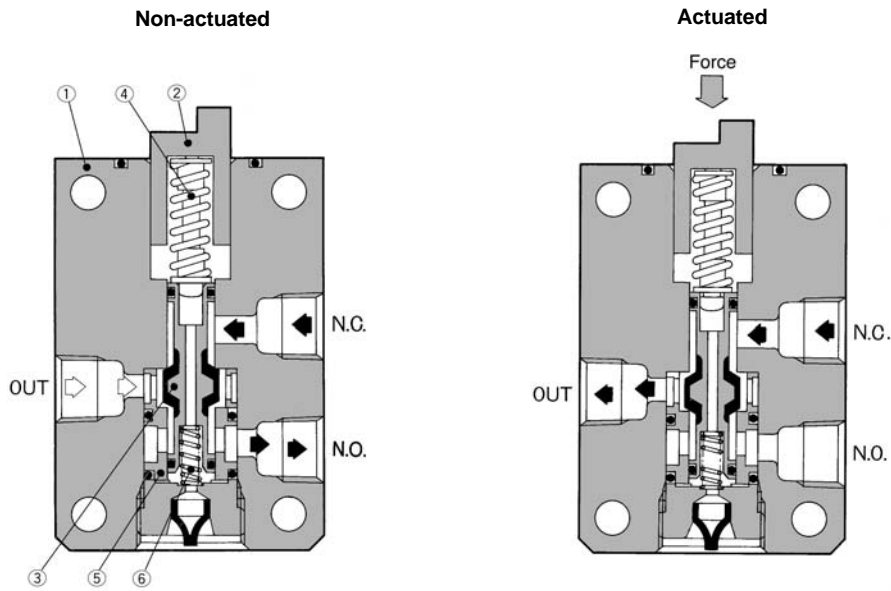
Undo screw to adjust through

**Head direction can be changed**

Loosen the hexagon socket bolt to adjust the lever.

MAX 180 MIN 120

## Construction



S□A

V□A

S□A

V□A

VM/VR

VH

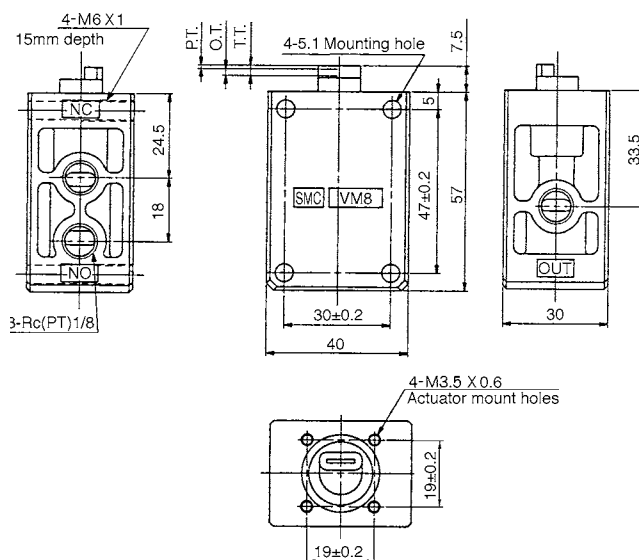
### Component Parts

No.	Description	Material	Notes
①	Body	Aluminum alloy	Metallic plated
②	Plunger	Polyacetal	
③	Spool valve	Aluminum alloy, NBR	Rubber lined

No.	Description	Material	Notes
④	Over travel spring	Stainless steel	
⑤	Retainer	Brass	
⑥	Spring	Steel	Zinc chromate

## Series VM800

### Basic/VM830-01-00



#### JIS Symbol

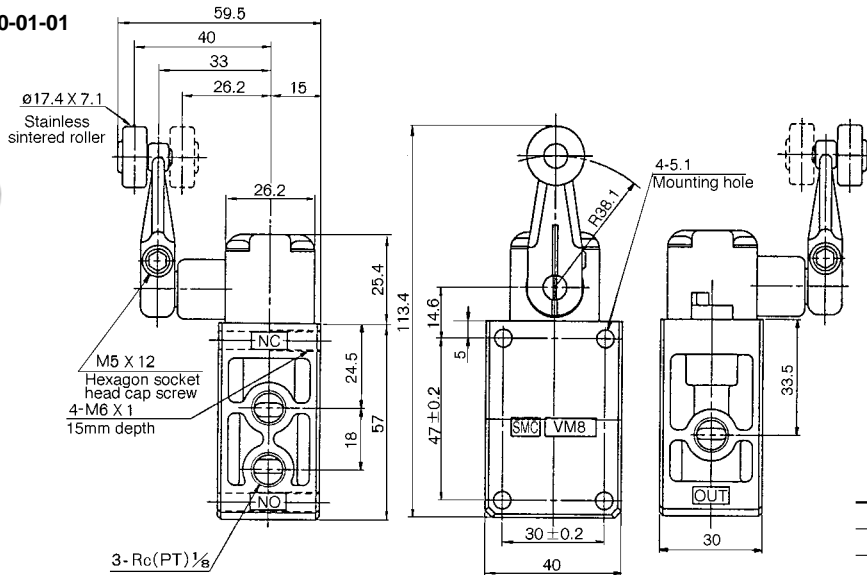


F.O.F.	23N
P.T.	1mm
O.T.	2mm
T.T.	3mm

# VM800

## Series VM800

### Roller Lever/VM830-01-01

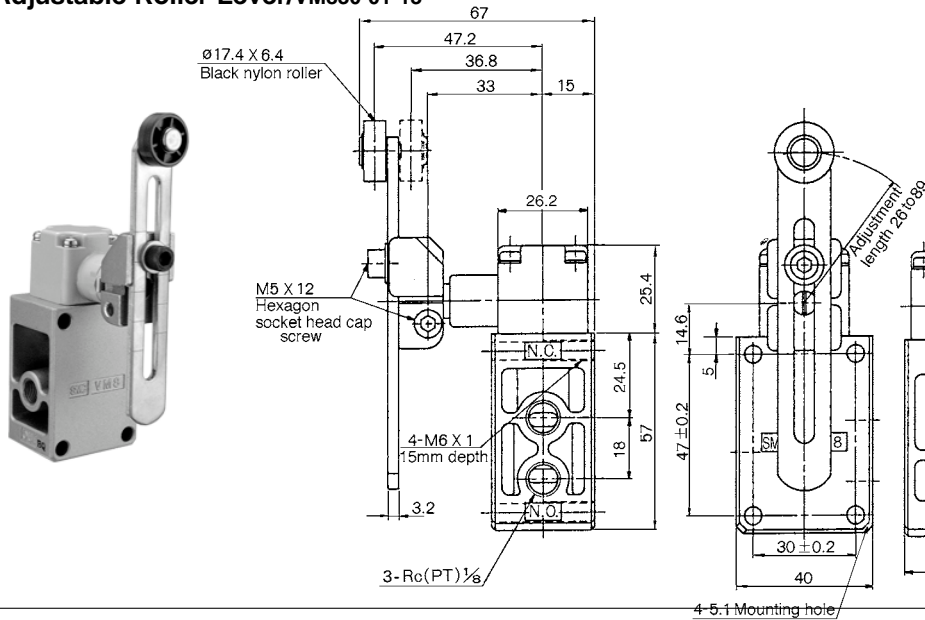


#### JIS Symbol

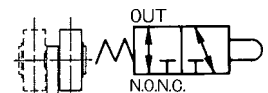


F.O.F.	20N
P.T.	20°
O.T.	30°
T.T.	50°

### Adjustable Roller Lever/VM830-01-13

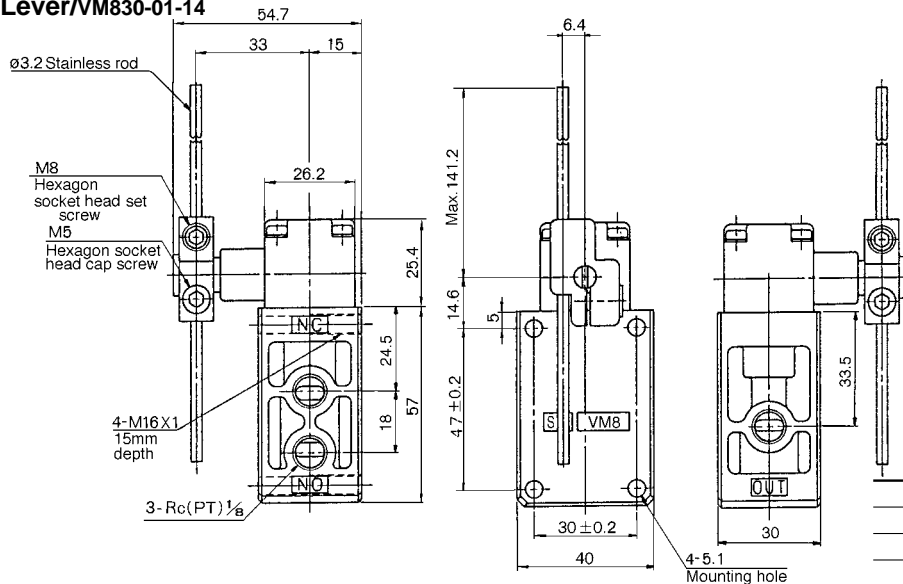


#### JIS Symbol



F.O.F.*	20N
P.T.	20°
O.T.	30°
T.T.	50°

### Adjustable Rod Lever/VM830-01-14



#### JIS Symbol



F.O.F.*	2.3N
P.T.	20°
O.T.	30°
T.T.	50°