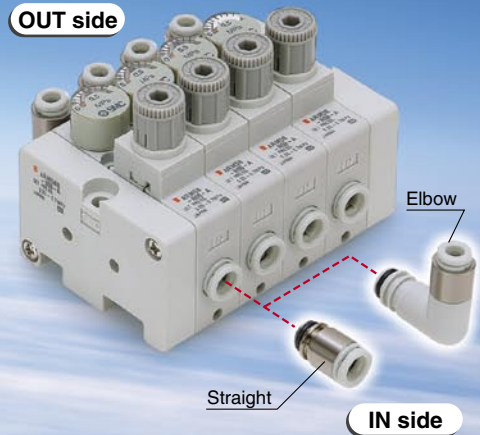
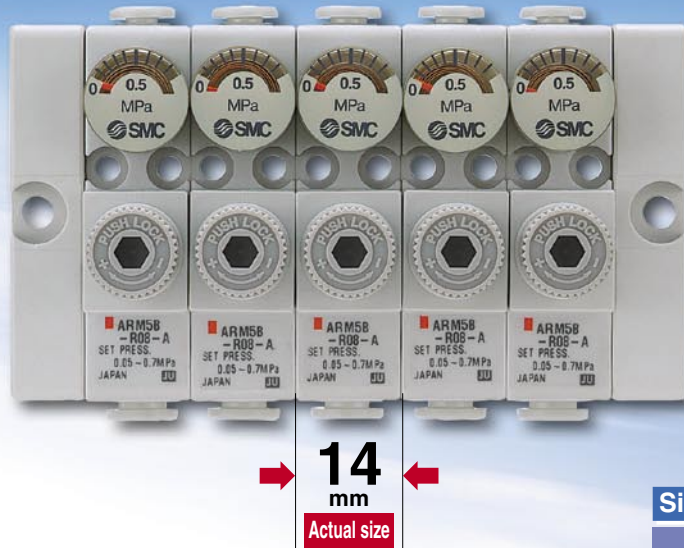


Width **14** mm

The one-touch fitting size can be changed.



2 mounting types are available.

- Direct mount
- DIN rail mount

Backflow function is equipped as standard.

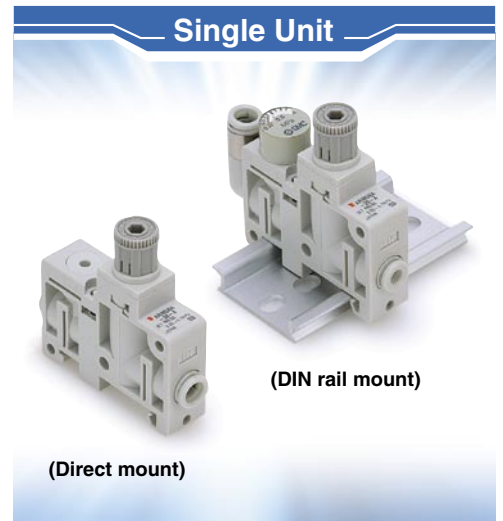
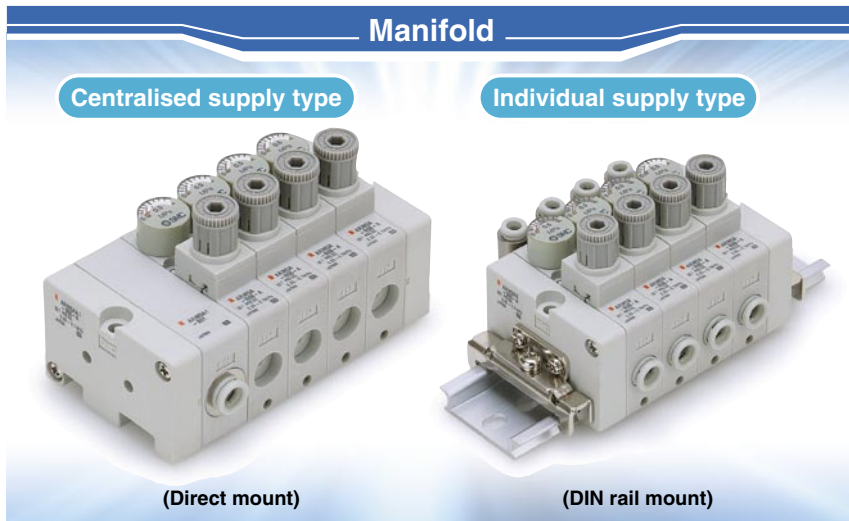
Single Unit / Individual Supply Type

Port location	Fitting type	Applicable tubing O.D.					
		Metric			Inch		
IN side	Straight / Elbow	4	6	8	5/32	1/4	5/16
OUT side	Straight / Elbow	4	6	8	5/32	1/4	5/16

Centralised Supply Type

Port location	Fitting type	Applicable tubing O.D.						
		Metric			Inch			
IN side	Straight / Elbow	—	4	6	8	5/32	1/4	5/16
OUT side	Straight / Elbow	4	6	8	5/32	1/4	5/16	

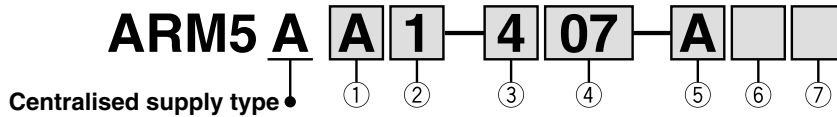
Compact Manifold Regulator




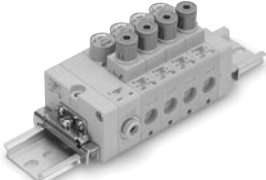
Series **ARM5**

Compact Manifold Regulator Centralised Supply Type Series **ARM5A**

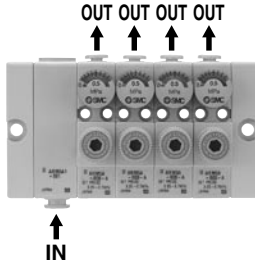
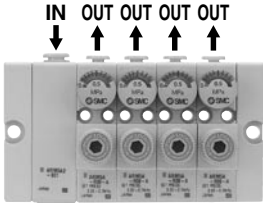
How to Order



1. Manifold Mounting

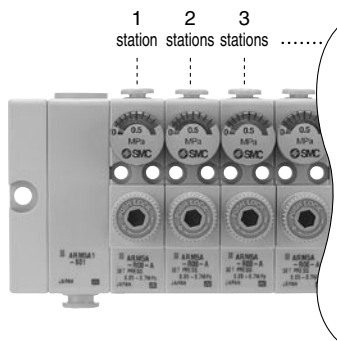
Symbol	A	B
How to mount	Direct mount	DIN rail mount
Appearance		

2. Centralised Supply (IN) Piping Position

Symbol	1	2
Piping position	Bottom	Top
Appearance		

3. Regulator Block Stations

Symbol	Stations
1	1 station
2	2 stations
3	3 stations
4	4 stations
5	5 stations
6	6 stations
7	7 stations
8	8 stations
9	9 stations
M	10 stations



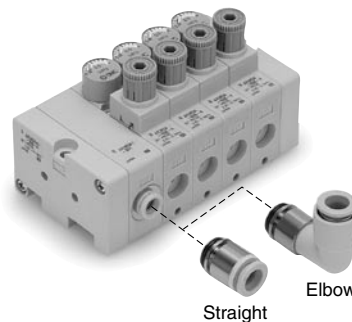
4. IN/OUT Fitting Type (Refer to the figure below.)

Metric size

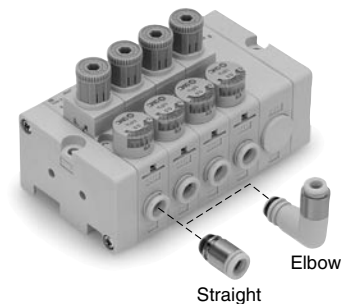
Mounting position	IN side				OUT side			
	Straight		Elbow		Straight		Elbow	
Fitting type	ø6	ø8	ø6	ø8	ø4	ø6	ø4	ø6
Symbol								
07	●				●			
08	●					●		
09		●			●			
10		●				●		
19			●				●	
20			●				●	
21				●			●	
22				●			●	
26	●						●	
27	●						●	
28		●					●	
29		●					●	
33			●		●			
34			●			●		
35				●	●			
36				●		●		

Inch size

Mounting position	IN side				OUT side			
	Straight		Elbow		Straight		Elbow	
Fitting type	ø1/4	ø5/16	ø1/4	ø5/16	ø5/32	ø1/4	ø5/32	ø1/4
Symbol								
57	●					●		
58	●						●	
59		●			●			
60		●				●		
69			●				●	
70			●				●	●
71				●			●	
72				●			●	●
76	●						●	
77	●						●	
78		●					●	
79		●					●	
83			●		●			
84			●			●		
85				●	●			
86				●		●		



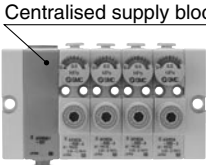
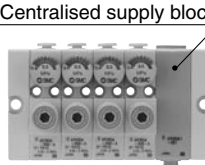
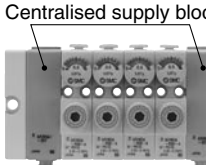


IN side



OUT side (Back side)

5. Accessories

Symbol	Pressure gauge ^{Note)}		Centralised supply block mounting position		
	Yes	None	L side (Left)	R side (Right)	B side (Both)
					
A	●		●		
B	●			●	
C	●				●
D		●	●		
E		●		●	
F		●			●

Note) Pressure gauges are not available with a copper-free specification.

6. Options

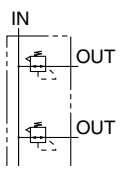
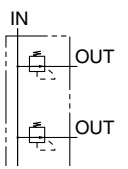
Symbol	None	0.35 MPa setting ^{Note)}	Non-relieving
-	●		
1		●	
2			●
3		●	●

Note) A pressure gauge with a full span of 0.8 MPa is attached.

7. Unit Representation

Symbol	Description
-	Display unit for product name plate and pressure gauge: MPa
Z ^{Note)}	Display unit for product name plate and pressure gauge: PSI

Note) This option is available for use outside Japan only.
(The SI units must be used in Japan.)

JIS symbol	
Relieving type	Non-relieving type
	

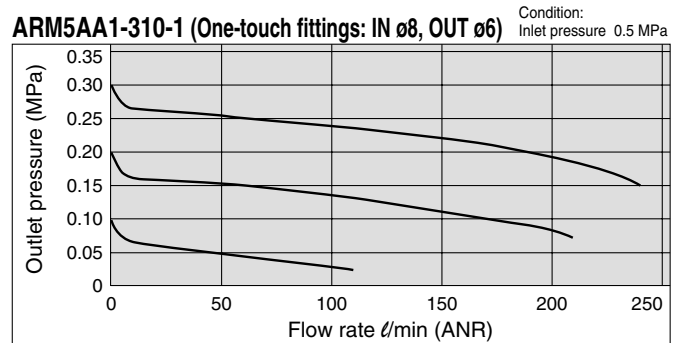
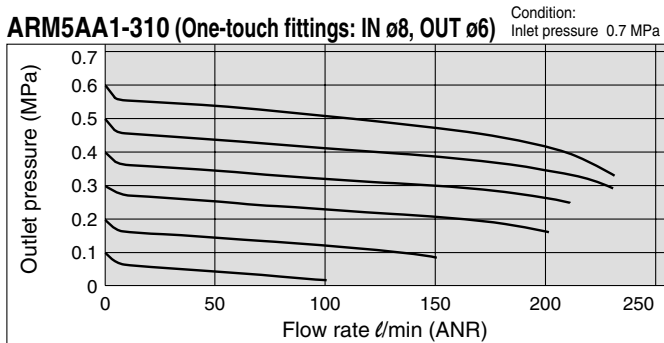
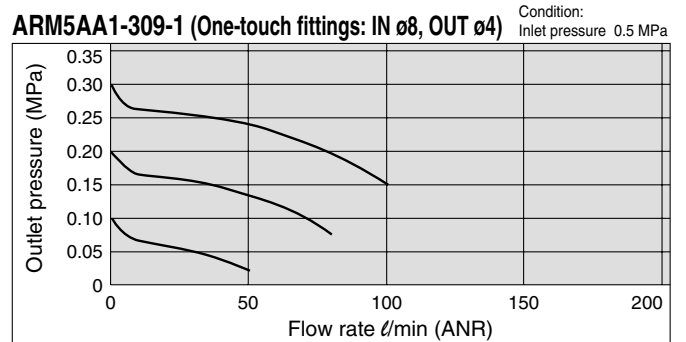
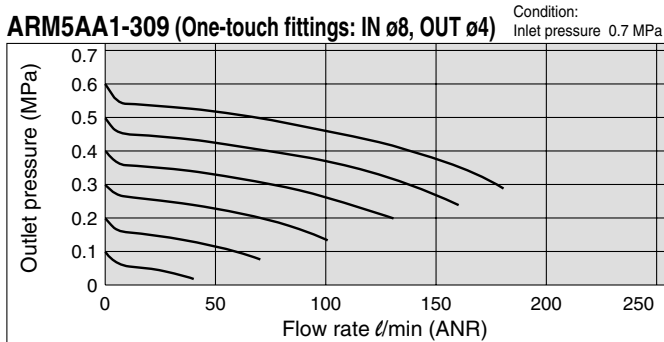
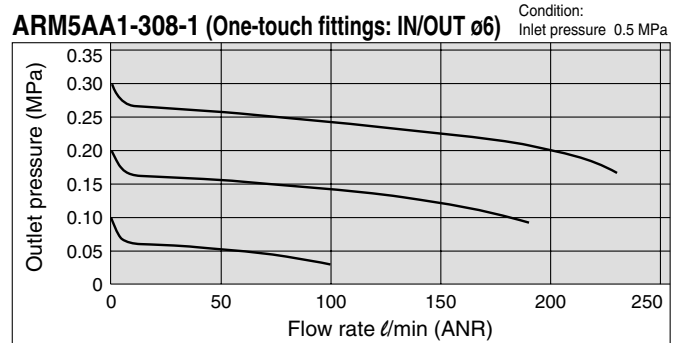
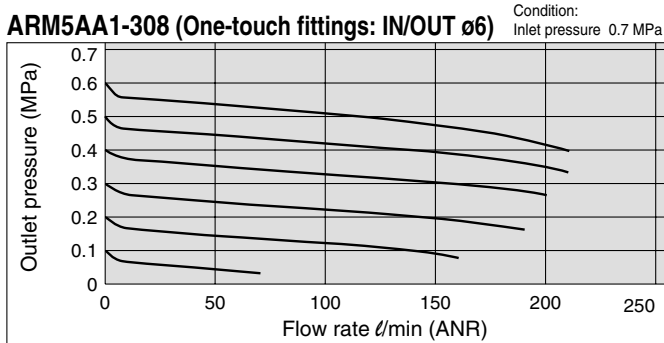
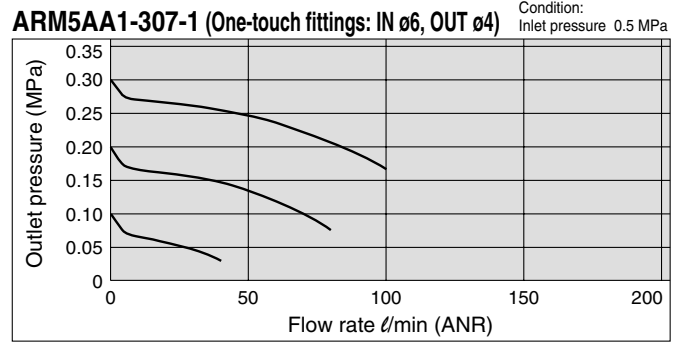
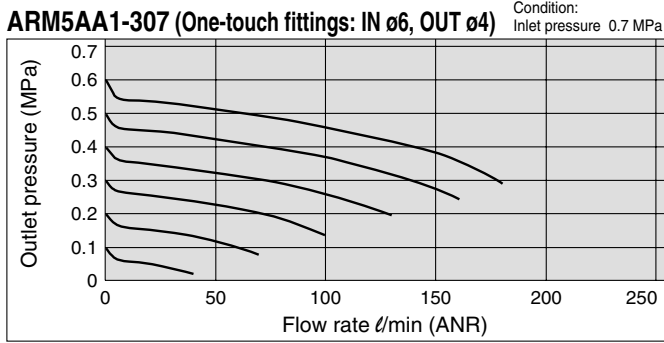
Standard Specifications

Model		ARM5A
Regulator construction		Direct acting
Working principle		Piston type
Relief mechanism	Standard	Relieving type
	Optional	Non-relieving type
Backflow function		Built-in (Unbalanced type)
IN side tubing O.D.		ø6, ø8, ø1/4", ø5/16"
OUT side tubing O.D.		ø4, ø6, ø5/32", ø1/4"
Proof pressure		1.5 MPa
Maximum operating pressure		1.0 MPa
Set pressure range	Standard	0.05 to 0.7 MPa
	Optional	0.05 to 0.35 MPa (Low pressure type)
Fluid		Air
Ambient and fluid temperature		5 to 60°C

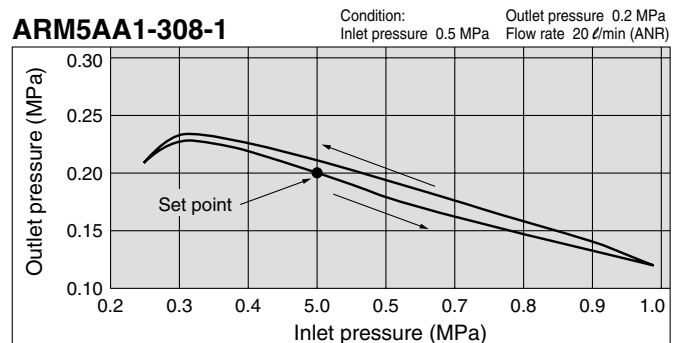
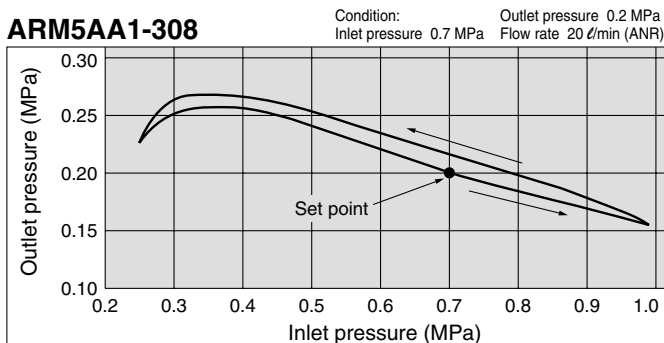
Note) 0.1 MPa or greater set pressure is required when used in the reverse flow.

Series ARM5A

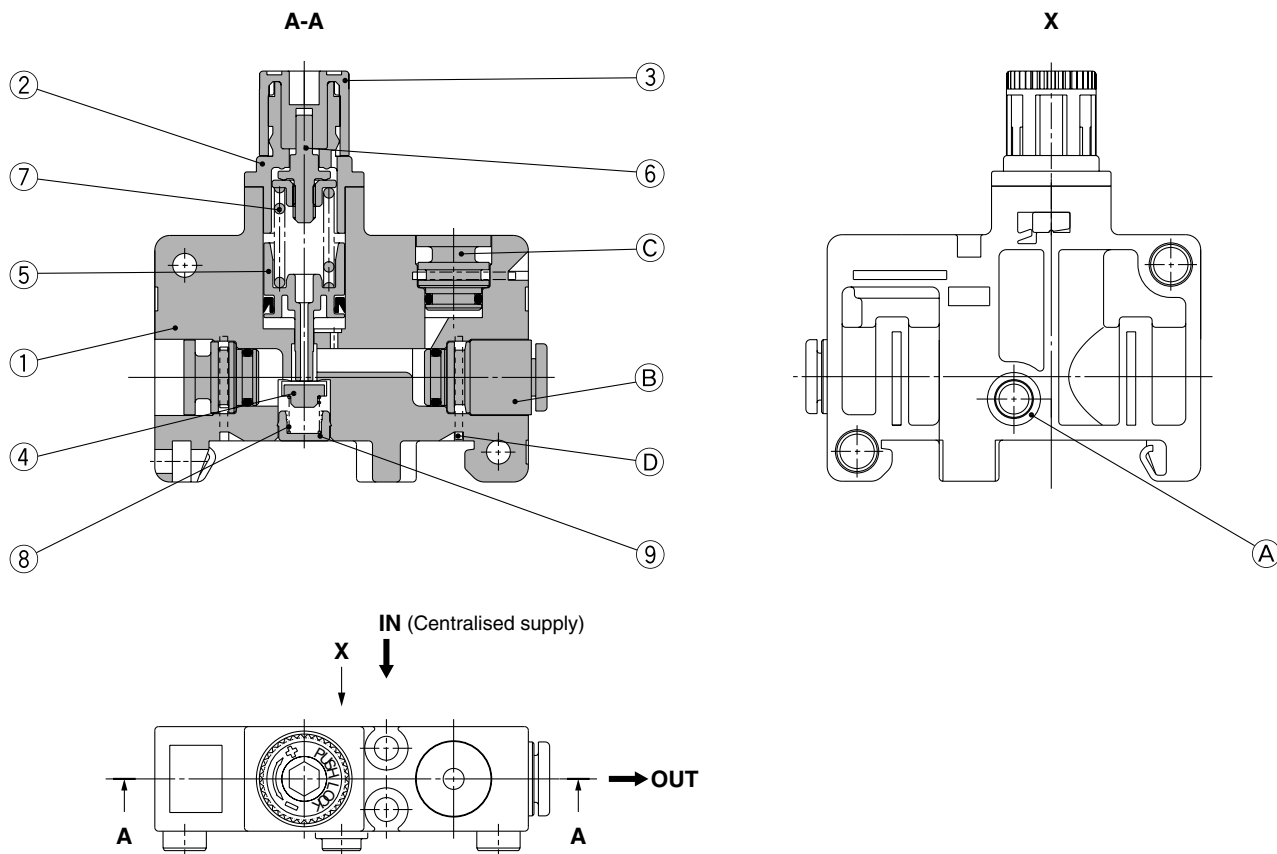
Flow Characteristics (Representative Values)



Pressure Characteristics (Representative Values)



Construction (Centralised Supply Type Regulator Block)



Component Parts

No.	Description	Material
1	Body (for centralised supply)	PBT
2	Bonnet	PBT
3	Handle	POM
4	Valve	HNBR, Aluminum alloy
5	Piston assembly	POM, NBR
6	Adjusting screw assembly	—
7	Adjusting spring	Stainless steel
8	Valve spring	Stainless steel
9	Valve guide	Brass

Replacement Parts

No.	Description	Material	Part no.
A	O-ring	NBR	136019
B	Fitting assembly	—	Refer to page 13.
C	Port plug	PBT, HNBR	Refer to page 14.
D	Clip	Stainless steel	136010

Series ARM5A

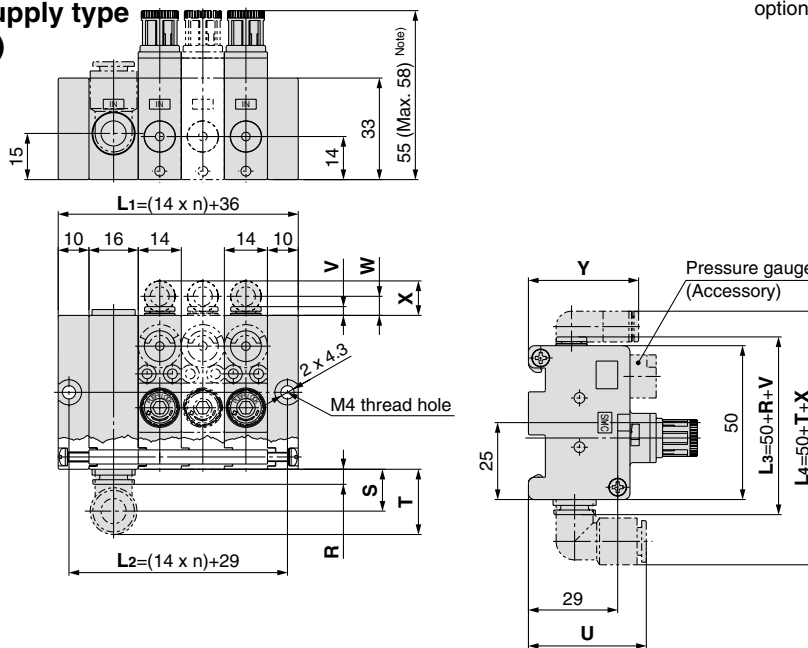
Dimensions

ARM5AA □

Centralised supply type (Direct mount)

* n = Number of stations for the regulator block

For dimensions of one-touch fittings and manifold options, please refer to page 10 through to 14.



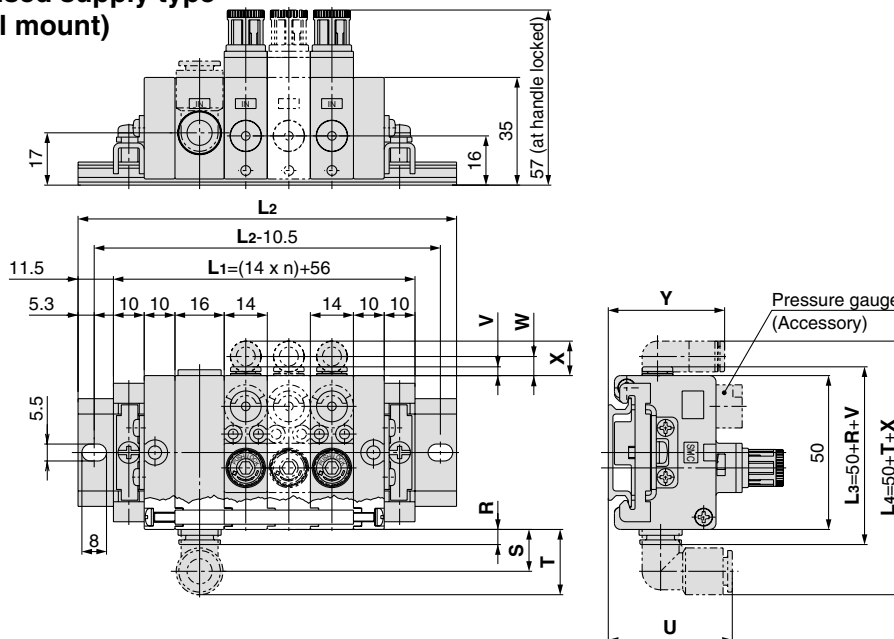
Note) Max. dimension is the size when the handle is unlocked.

Fitting size	IN side				OUT side			
	Straight R	Elbow S	Elbow T	Elbow U	Straight V	Elbow W	Elbow X	Elbow Y
ø4, ø5/32	—	—	—	—	2.5	6	11	35.5
ø6	3	12.5	19	35.5	3	6.5	11	36
ø1/4	3	12.5	19	35.5	6.5	6	11.5	38.5
ø8, ø5/16	5	13.5	21	38.5	—	—	—	—

ARM5AB □

Centralised supply type (DIN rail mount)

* n = Number of stations for the regulator block

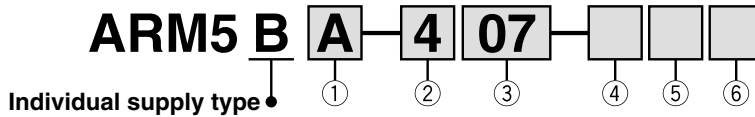


Fitting size	IN side				OUT side			
	Straight R	Elbow S	Elbow T	Elbow U	Straight V	Elbow W	Elbow X	Elbow Y
ø4, ø5/32	—	—	—	—	2.5	6	11	37.5
ø6	3	12.5	19	37.5	3	6.5	11	38
ø1/4	3	12.5	19	37.5	6.5	6	11.5	40.5
ø8, ø5/16	5	13.5	21	40.5	—	—	—	—


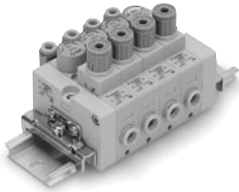
Stations	DIN rail part no.	L2 dimension
1	VVQ1000-90-7	98
2	VVQ1000-90-8	110.5
3	VVQ1000-90-9	123
4	VVQ1000-90-11	148
5	VVQ1000-90-12	160.5
6	VVQ1000-90-13	173
7	VVQ1000-90-14	185.5
8	VVQ1000-90-15	198
9	VVQ1000-90-16	210.5
M	VVQ1000-90-17	223

Compact Manifold Regulator Individual Supply Type Series **ARM5B**

How to Order

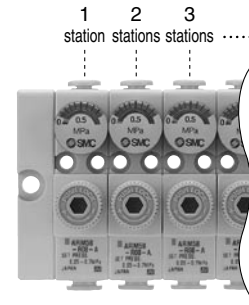


1. Manifold Mounting

Symbol	A	B
How to mount	Direct mount	DIN rail mount
Appearance		

2. Regulator Block Stations

Symbol	Stations
1	1 station
2	2 stations
3	3 stations
4	4 stations
5	5 stations
6	6 stations
7	7 stations
8	8 stations
9	9 stations
M	10 stations



3. IN/OUT Piping Position

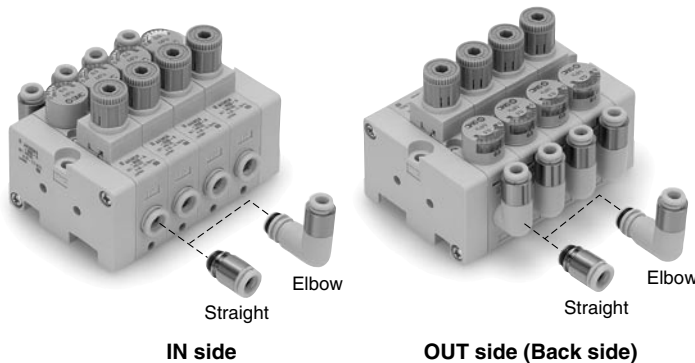
Metric size

Mounting position	IN side				OUT side			
	Straight		Elbow		Straight		Elbow	
Fitting type	ø4	ø6	ø4	ø6	ø4	ø6	ø4	ø6
Symbol								
06	●				●			
07		●			●			
08		●				●		
18			●				●	
19				●			●	
20				●				●
25	●						●	
26		●					●	
27		●						●
32			●		●			
33				●	●			
34				●		●		



Inch size

Mounting position	IN side				OUT side			
	Straight		Elbow		Straight		Elbow	
Fitting type	ø5/32	ø1/4	ø5/32	ø1/4	ø5/32	ø1/4	ø5/32	ø1/4
Symbol								
56	●				●			
57		●			●			
58		●				●		
68			●				●	
69				●			●	
70				●				●
75	●						●	
76		●					●	
77		●						●
82			●		●			
83				●	●			
84				●		●		

JIS symbol	
Relieving type	
IN	OUT
IN	OUT
Non-relieving type	
IN	OUT
IN	OUT



4. Accessory

Symbol	Pressure gauge ^{Note)}	Configuration
Nil	None	
A	Yes	

Note) Pressure gauges are not available with the copper-free specification.

6. Options

Symbol	None	0.35 MPa setting ^{Note)}	Non-relieving
-	●		
1		●	
2			●
3		●	●

Note) A pressure gauge with a full span of 0.8 MPa is attached.

7. Unit Representation

Symbol	Description
-	Display unit for product name plate and pressure gauge: MPa
Z ^{Note)}	Display unit for product name plate and pressure gauge: PSI

Note) This option is available for use outside Japan only. (The SI units must be used in Japan.)

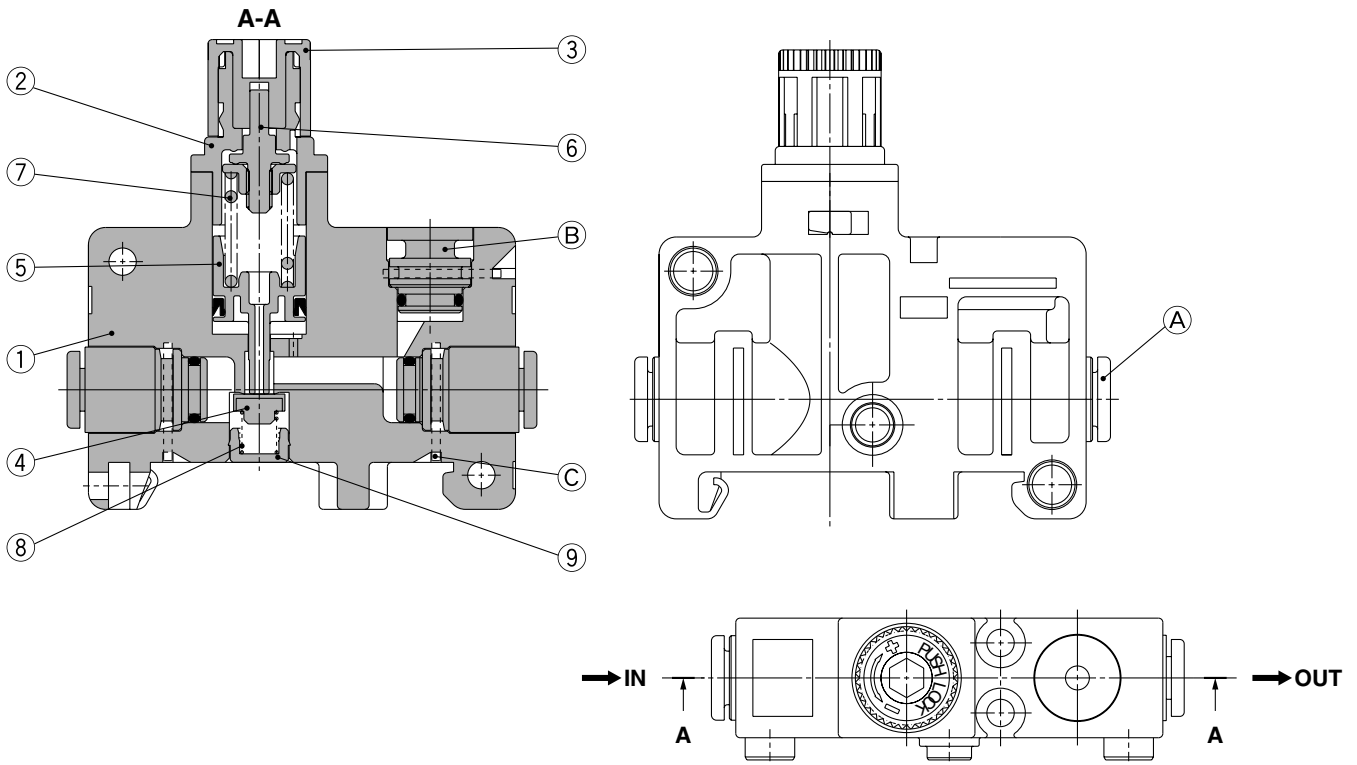
Series ARM5B

Standard Specifications

Model		ARM5B
Regulator construction		Direct acting
Working principle		Piston type
Relief mechanism	Standard	Relieving type
	Optional	Non-relieving type
Backflow function		Built-in (Unbalanced type)
IN side tubing O.D.		ø4, ø6, ø5/32", ø1/4"
OUT side tubing O.D.		ø4, ø6, ø5/32", ø1/4"
Proof pressure		1.5 MPa
Maximum operating pressure		1.0 MPa
Set pressure range	Standard	0.05 to 0.7 MPa
	Optional	0.05 to 0.35 MPa (Low pressure type)
Fluid		Air
Ambient and fluid temperature		5 to 60°C

Note) 0.1 MPa or greater set pressure is required when used in the reverse flow.

Construction (Individual Supply Type Regulator Block)



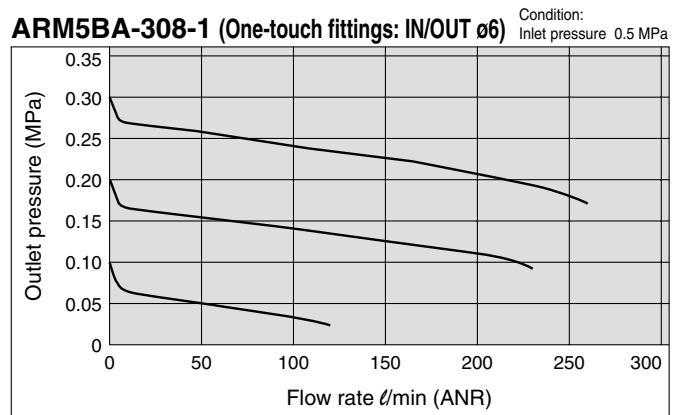
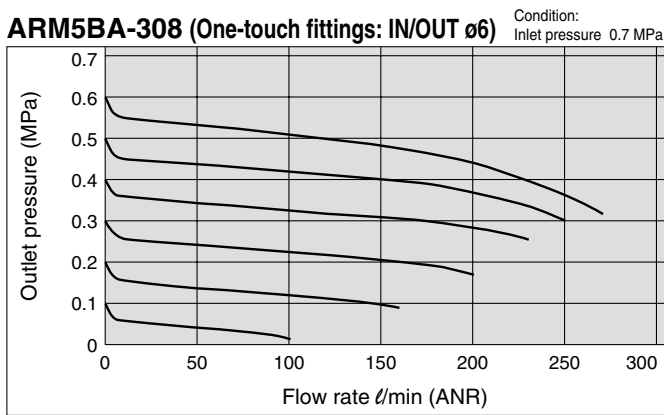
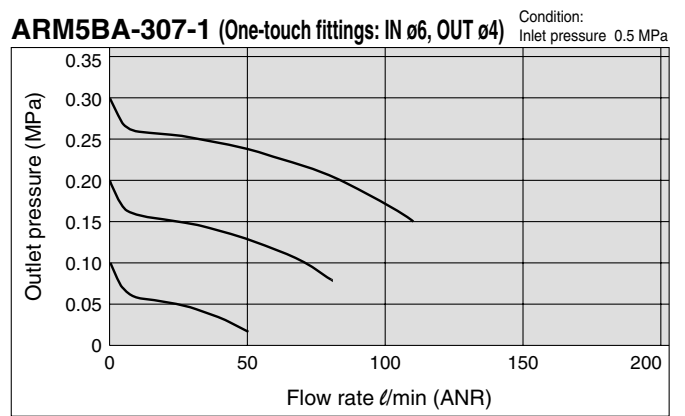
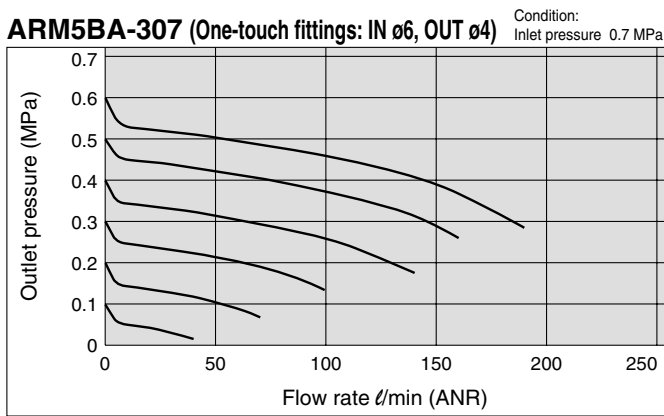
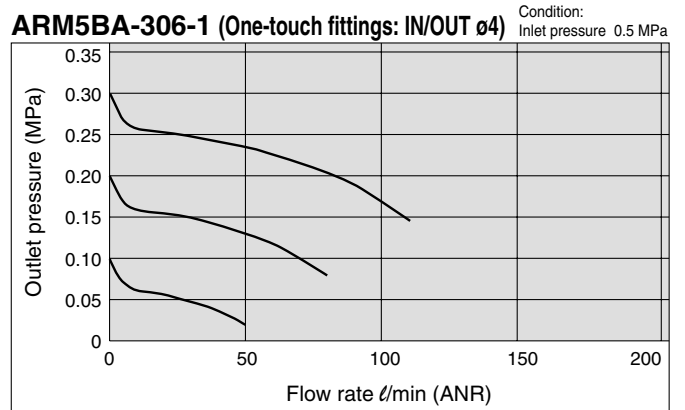
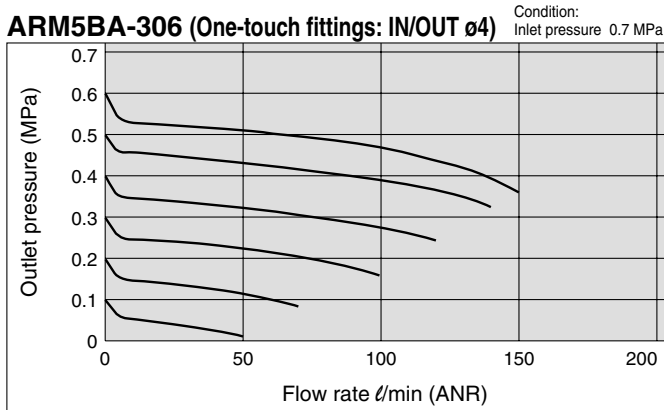
Component Parts

No.	Description	Material
1	Body (for individual supply)	PBT
2	Bonnet	PBT
3	Handle	POM
4	Valve	HNBR, Aluminum alloy
5	Piston assembly	POM, NBR
6	Adjusting screw assembly	—
7	Adjusting spring	Stainless steel
8	Valve spring	Stainless steel
9	Valve guide	Brass

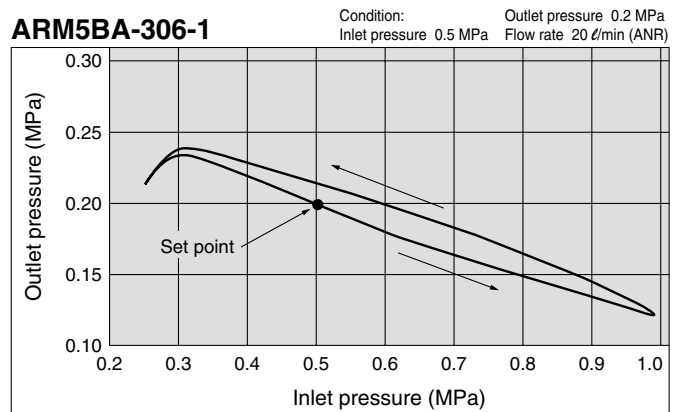
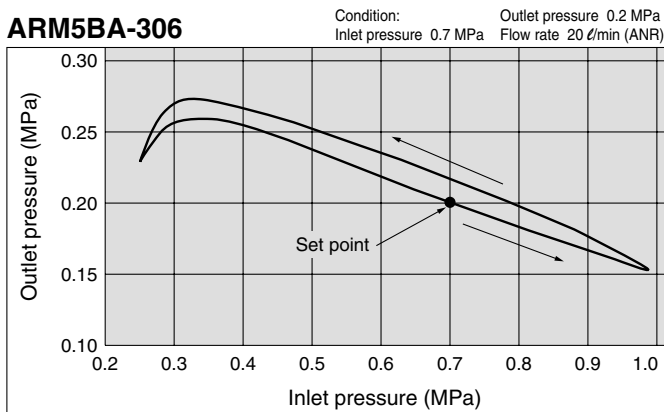
Replacement Parts

No.	Description	Material	Part no.
A	Fitting assembly	—	Refer to page 13.
B	Port plug	PBT, HNBR	Refer to page 14.
C	Clip	Stainless steel	136010

Flow Characteristics (Representative Values)



Pressure Characteristics (Representative Values)



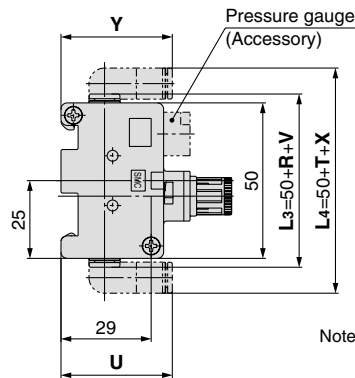
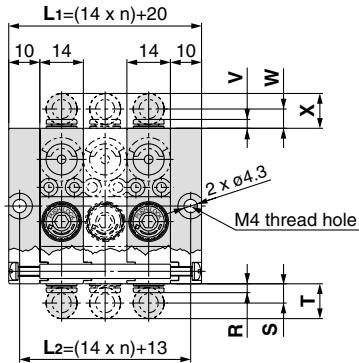
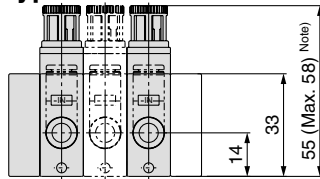
Series ARM5B

Dimensions

ARM5BA

Individual supply type (Direct mount)

* n = Number of regulator block stations



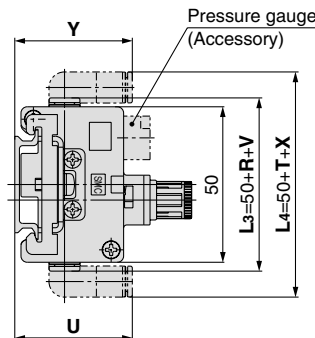
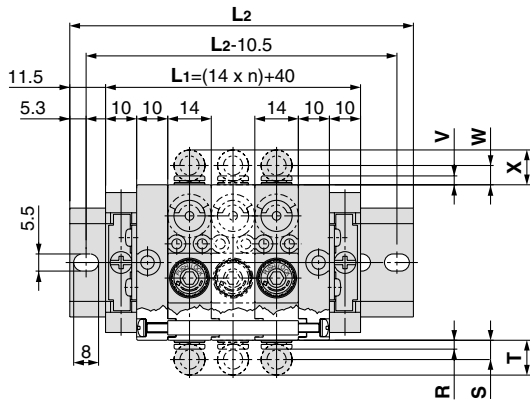
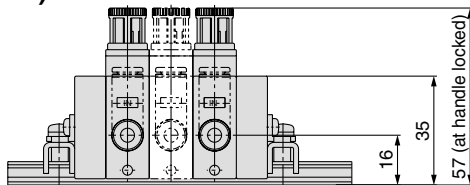
Note) Max. dimension is the size when the handle is unlocked.

Fitting size	IN side				OUT side			
	Straight R	Elbow S	Elbow T	Elbow U	Straight V	Elbow W	Elbow X	Elbow Y
ø4, ø5/32	2.5	6	11	35.5	2.5	6	11	35.5
ø6	3	6.5	11	36	3	6.5	11	36
ø1/4	6.5	6	11.5	38.5	6.5	6	11.5	38.5

ARM5BB

Individual supply type (DIN rail mount)

* n = Number of regulator block stations

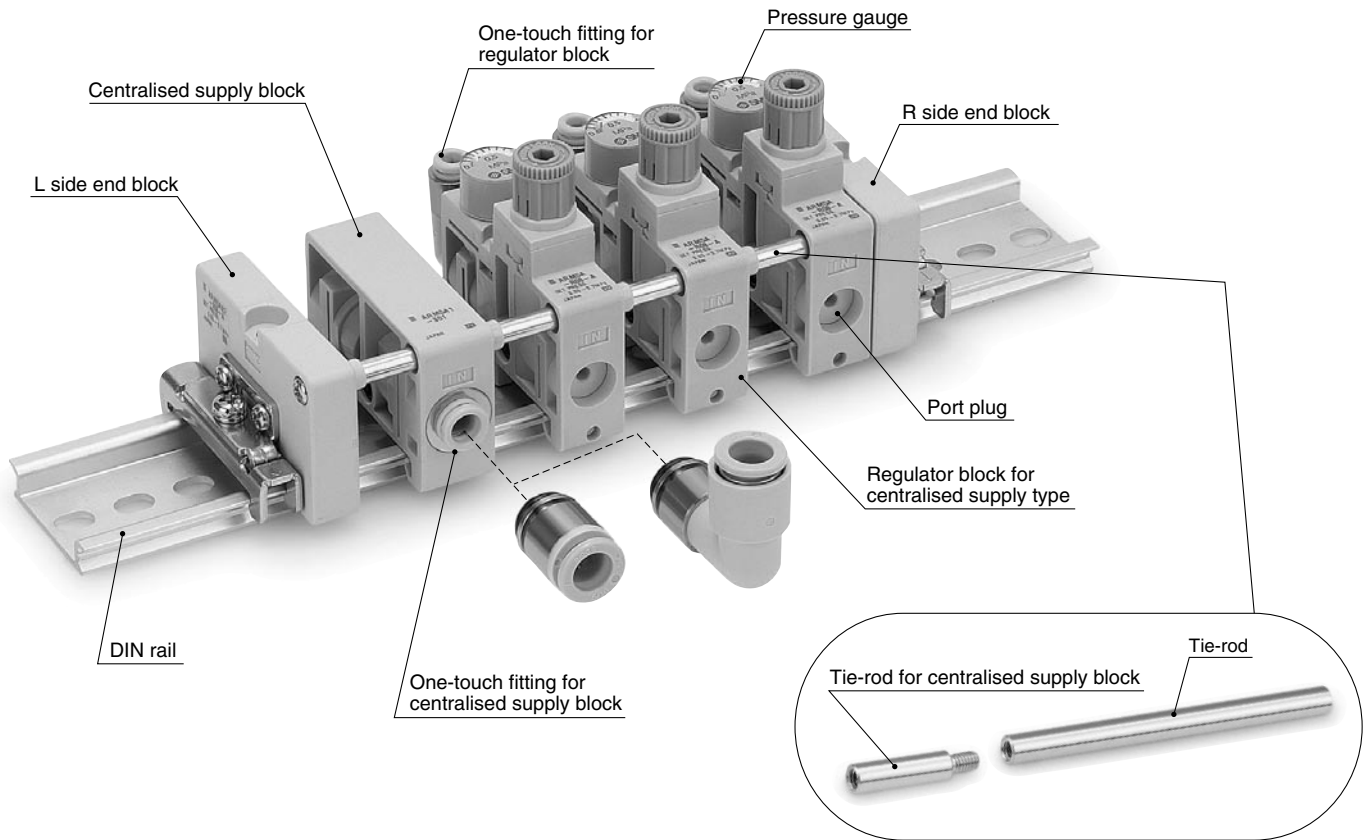


Fitting size	IN side				OUT side			
	Straight R	Elbow S	Elbow T	Elbow U	Straight V	Elbow W	Elbow X	Elbow Y
ø4, ø5/32	2.5	6	11	37.5	2.5	6	11	37.5
ø6	3	6.5	11	38	3	6.5	11	38
ø1/4	6.5	6	11.5	40.5	6.5	6	11.5	40.5

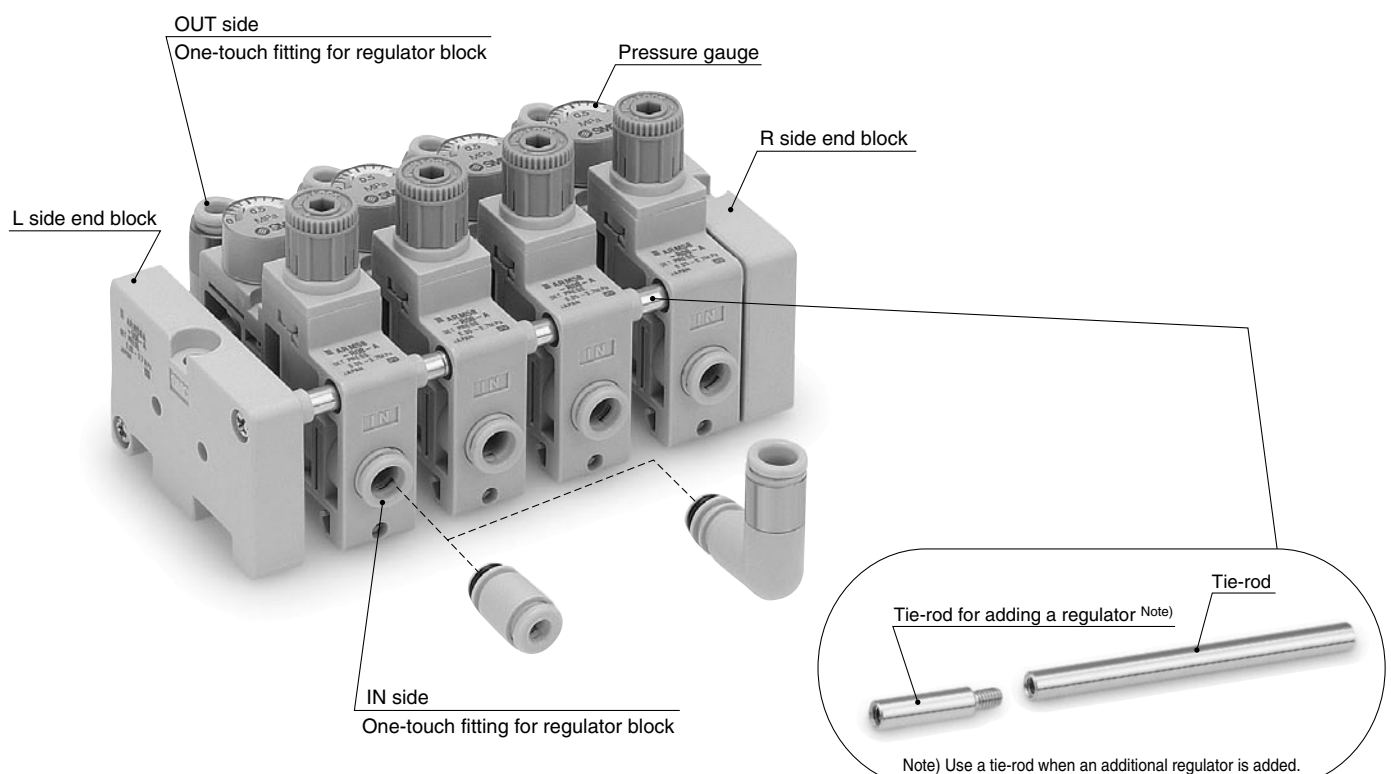
Stations	DIN rail part no.	L2 dimension
1	VVQ1000-90-6	85.5
2	VVQ1000-90-7	98
3	VVQ1000-90-8	110.5
4	VVQ1000-90-9	123
5	VVQ1000-90-10	135.5
6	VVQ1000-90-12	160.5
7	VVQ1000-90-13	173
8	VVQ1000-90-14	185.5
9	VVQ1000-90-15	198
M	VVQ1000-90-16	210.5

Compact Manifold Regulator Options

Centralised Supply Type



Individual Supply Type



Series ARM5A/B

Regulator Block

Centralised Supply Type ARM5A – R 04 – A

1. OUT Fitting Type

Metric size

Symbol	Straight		Elbow	
	ø4	ø6	ø4	ø6
04	●			
05		●		
16			●	
17				●

Inch size

Symbol	Straight		Elbow	
	ø5/32	ø1/4	ø5/32	ø1/4
54	●			
55		●		
66			●	
67				●

4. Unit Representation

Symbol	Description
-	Display unit for product name plate and pressure gauge: MPa
Z ^{Note)}	Display unit for product name plate and pressure gauge: PSI

Note) This option is available for use outside Japan only. (The SI units must be used in Japan.)

2. Accessories

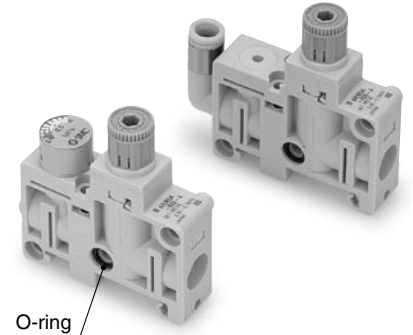
Symbol	Pressure gauge ^{Note)}		Extension tie-rod	
	Yes	None	Yes	None
A	●		●	
B	●			●
C		●	●	
D		●		●

Note) Pressure gauges are not available with a copper-free specification.

3. Options

Symbol	None	0.35 MPa setting ^{Note)}	Non-relieving
Nil	●		
1		●	
2			●
3		●	●

Note) A pressure gauge with a full span of 0.8 MPa is attached.



Note) An O-ring is attached to the manifold connection.

Individual Supply Type ARM5B – R 06 – A

1. IN/OUT Fitting Type

Metric size

Symbol	IN side				OUT side			
	Straight		Elbow		Straight		Elbow	
	ø4	ø6	ø4	ø6	ø4	ø6	ø4	ø6
06	●				●			
07		●			●			
08		●				●		
18			●				●	
19				●			●	
20				●				●
25	●							●
26		●						●
27		●						●
32			●		●			
33				●	●			
34				●		●		

Inch size

Symbol	IN side				OUT side			
	Straight		Elbow		Straight		Elbow	
	ø5/32	ø1/4	ø5/32	ø1/4	ø5/32	ø1/4	ø5/32	ø1/4
56	●				●			
57		●			●			
58		●				●		
68			●				●	
69				●			●	
70				●				●
75	●							●
76		●						●
77		●						●
82			●		●			
83				●	●			
84				●		●		

3. Options

Symbol	None	0.35 MPa setting ^{Note 1)}	Non-relieving
-	●		
1		●	
2			●
3		●	●

Note) A pressure gauge with a full span of 0.8 MPa is attached.

4. Unit Representation

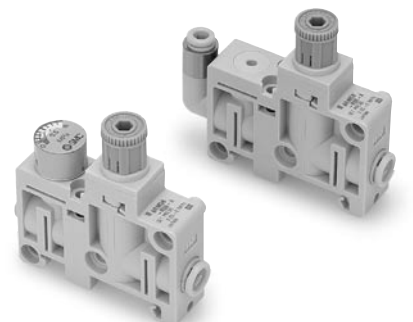
Symbol	Description
-	Display unit for product name plate and pressure gauge: MPa
Z ^{Note)}	Display unit for product name plate and pressure gauge: PSI

Note) This option is available for use outside Japan only. (The SI units must be used in Japan.)

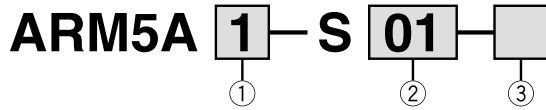
2. Accessories

Symbol	Pressure gauge ^{Note)}		Extension tie-rod	
	Yes	None	Yes	None
A	●		●	
B	●			●
C		●	●	
D		●		●

Note) Pressure gauges are not available with a copper-free specification.



Centralised Supply Block



1. Centralised Supply (IN) Piping Position

Symbol	1	2
Piping position	Bottom	Top
Appearance		

3. IN Fitting Type

Metric size

Symbol	IN side			
	Straight		Elbow	
	ø6	ø8	ø6	ø8
01	●			
02		●		
13			●	
14				●

Inch size

Symbol	IN side			
	Straight		Elbow	
	ø1/4	ø5/16	ø1/4	ø5/16
51	●			
52		●		
63			●	
64				●

3. Tie-rod for Centralised Supply Block ^(Note)

Symbol	Description
-	Without tie-rod
T	With tie-rod

Note) For details, refer to page 14.

End Block



End block ●

Manifold mounting ●

Symbol	Mounting
A	Direct mount
B	DIN rail mount

Mounting position ●

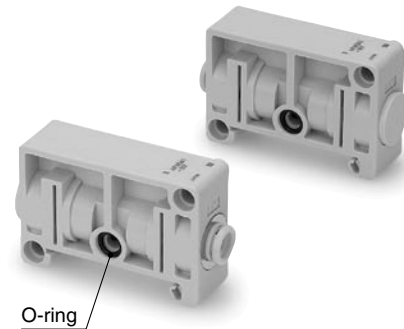
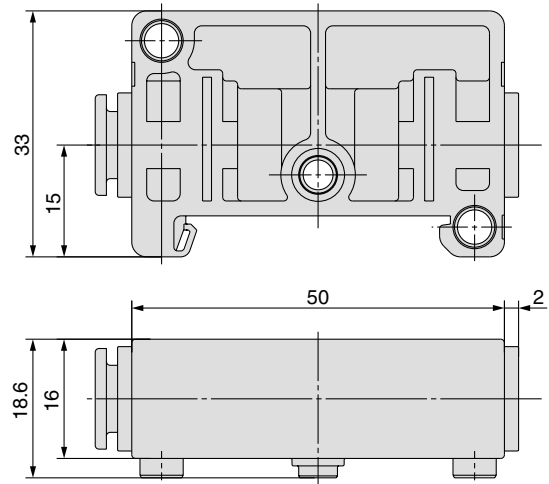
Symbol	Mounting position
L	Left
R	Right

● Air supply specification

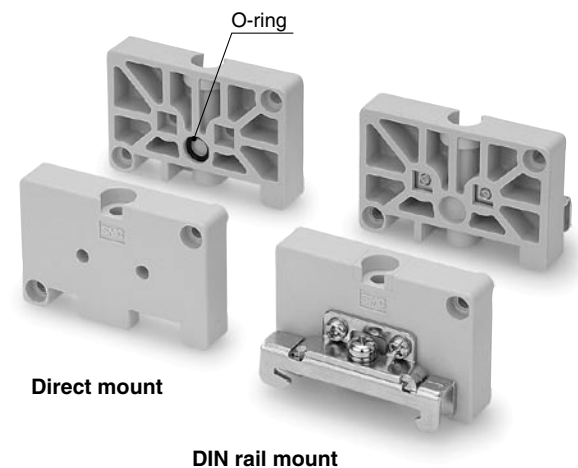
Symbol	Air supply specification
1	Centralised supply
2	Individual supply

*1 Applicable for the end block on the right side only. Enter nothing for the end block on the left side.

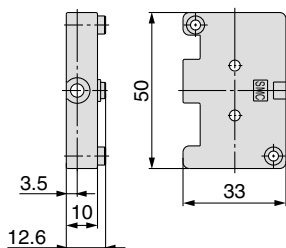
*2 For the centralised air supply specification, an O-ring is attached to the end block on the right side.



Note) An O-ring is attached to the manifold connection.

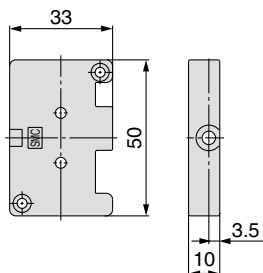


L side end block

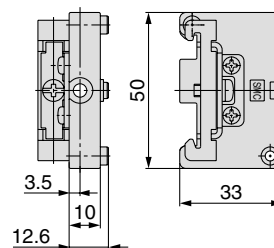


Direct mount

R side end block

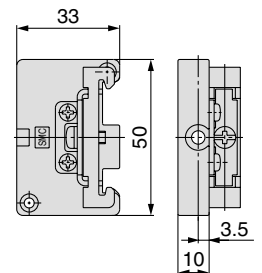


L side end block



DIN rail mount

R side end block

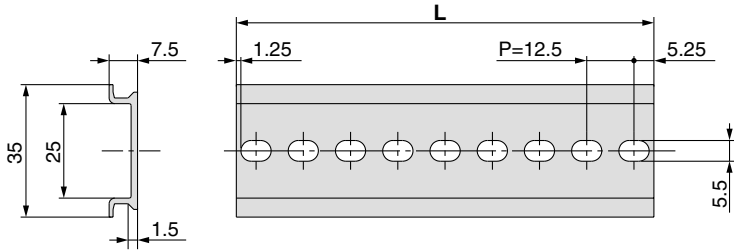


Series ARM5A/B

DIN Rail

VVQ1000-90-n

Note) Put an appropriate No. from the table below in the place of "n."
For the L dimension, please refer to "Dimensions."



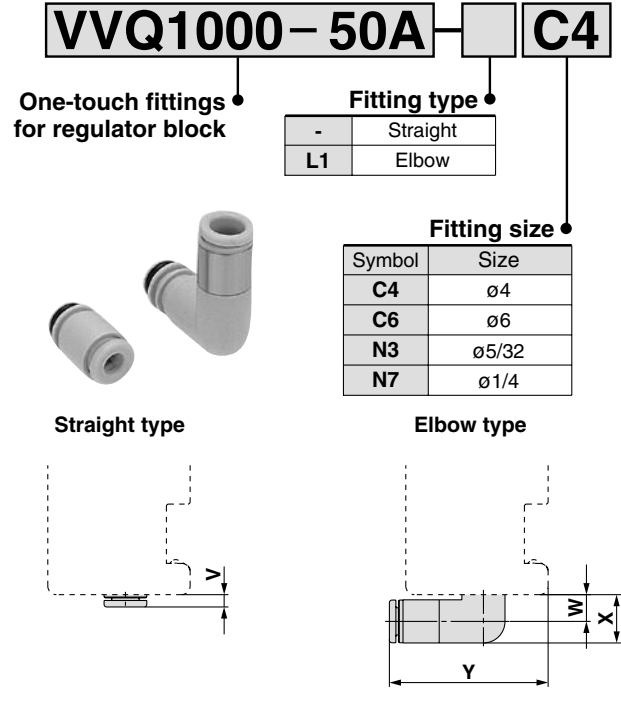
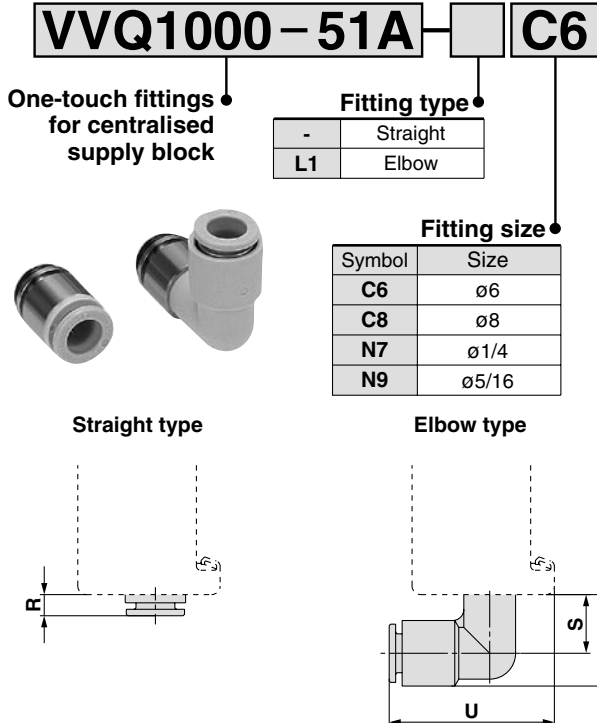
L Dimension

$$L = 12.5 \times n + 10.5$$

No.	1	2	3	4	5	6	7	8	9	10
L dimension	23	35.5	48	60.5	73	85.5	98	110.5	123	135.5
No.	11	12	13	14	15	16	17	18	19	20
L dimension	148	160.5	173	185.5	198	210.5	223	235.5	248	260.5
No.	21	22	23	24	25	26	27	28	29	30
L dimension	273	285.5	298	310.5	323	335.5	348	360.5	373	385.5
No.	31	32	33	34	35	36	37	38	39	40
L dimension	398	410.5	423	435.5	448	460.5	473	485.5	498	510.5

One-touch Fittings for Centralised Supply Block

One-touch Fittings for Regulator Block



Fitting size	One-touch fittings for centralised supply block			
	Straight	Elbow	Elbow	Elbow
	R	S	T	U
ø4, ø5/32	—	—	—	—
ø6	3	12.5	19	35.5
ø1/4	3	12.5	19	35.5
ø8, ø5/16	5	13.5	21	38.5

Note) An O-ring is attached.

For details on how to replace, refer to back page 4.

Fitting size	One-touch fittings for regulator block			
	Straight	Elbow	Elbow	Elbow
	V	W	X	Y
ø4, ø5/32	2.5	6	11	35.5
ø6	3	6.5	11	36
ø1/4	6.5	6	11.5	38.5
ø8, ø5/16	—	—	—	—

Note) An O-ring is attached.

For details on how to replace, refer to back page 4.

Pressure Gauge

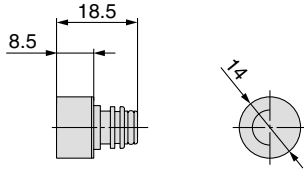
G14-8-JA



● **Indication unit**

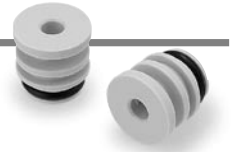
Symbol	Indication unit	Pressure gauge indication range
-	MPa	0 to 0.8 MPa
P	PSI	0 to 120 PSI

Note) An O-ring is attached.
For details on how to replace, refer to back page 5.

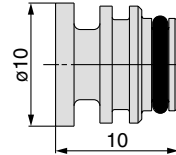


Port Plug

VVQ0000-58A



Single unit regulator /
Port plug for regulator block



Note) An O-ring is attached.
For details on how to replace, refer to back page 5.

Tie-rod

The length of tie-rod will vary, corresponding to the number of stations.

● **For Regulator Block**

Regulator block stations	Tie-rod part no.	Length
1	136016-1A	14
2	136016-2A	28
3	136016-3A	42
4	136016-4A	56
5	136016-5A	70
6	136016-6A	84
7	136016-7A	98
8	136016-8A	112
9	136016-9A	126
10	136016-10A	140

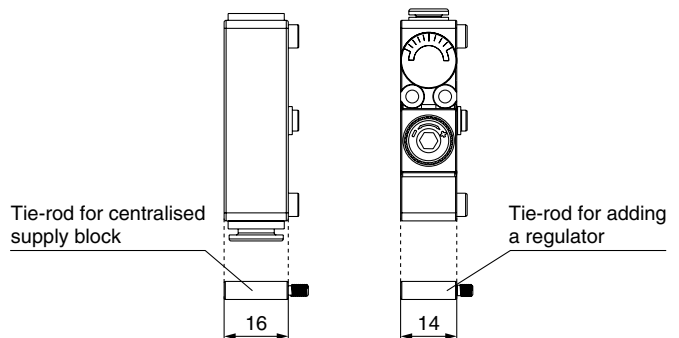
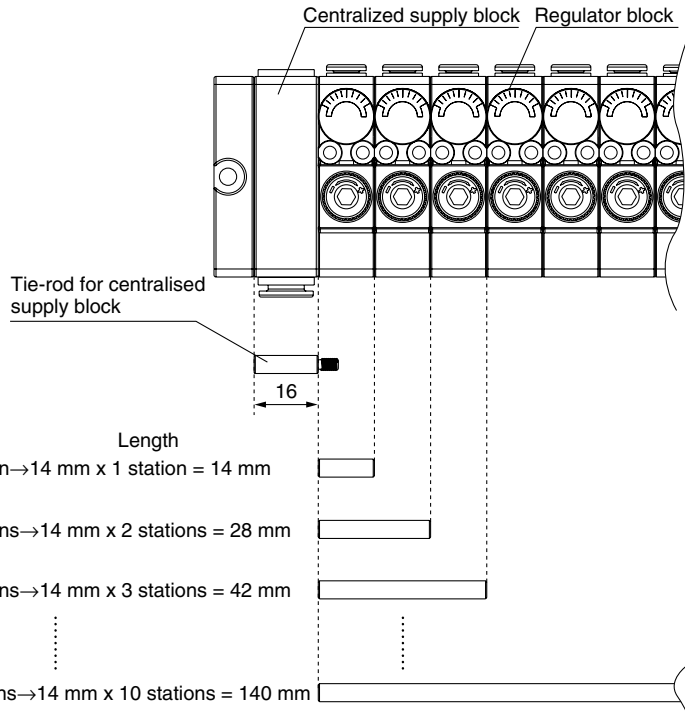
For adding a regulator	Tie-rod part no.	Length
For adding 1 station	136020A	14

Note 1) When adding a regulator block, please use the correct length of tie-rod that corresponds to the number of required stations, or add the extension tie-rod.
Note 2) The part number is for a pair of pieces (2).

● **For Centralised Supply Block**

Centralised supply block qty.	Tie-rod part no.	Length
1	136017-1A	16
2	136017-2A	32

Note 1) When adding the centralised air supply block, add the tie-rod for centralised air supply to the regulator block tie-rod. Please pay special attention to its length as this differs from the length of the regulator extension tie-rod.
Note 2) The part is for a pair of pieces (2).

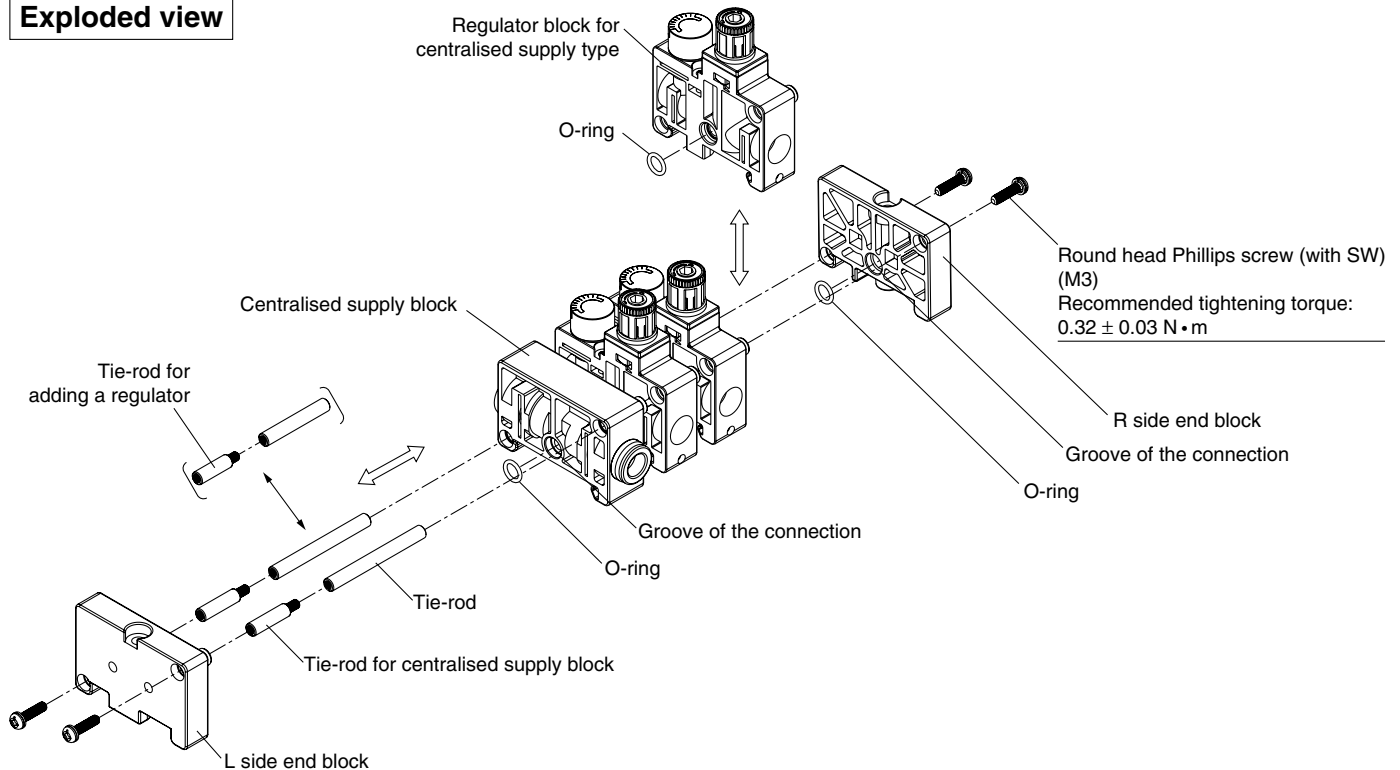


How to Add a Manifold Station

● In case of the centralised air supply type

It's possible to add the centralised air supply block or regulator block and also alter its position.

Exploded view



1 Dis-assembly

- ① Loosen the 4 round head Phillips screws at the corners of the end block.
- ② Remove the tie-rod from the end block, centralised air supply block, and regulator block.

2 Additional parts (Please prepare separately.)

- ① Centralised supply block, Regulator block
- ② Tie-rod
Note) A tie-rod, which corresponds to the regulator block stations, or an additional tie-rod for increasing a station will be required.

3 Assembly

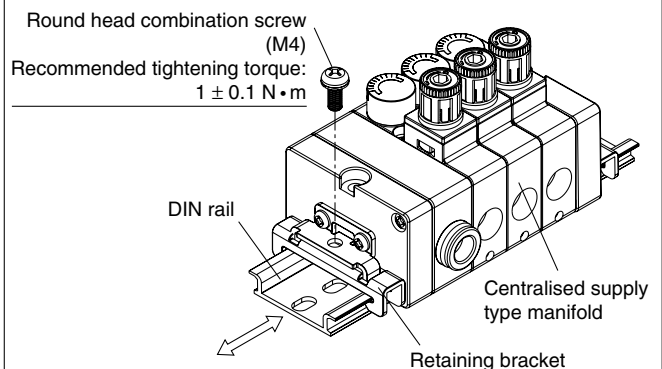
- ① Connect the tie-rods.
- ② Insert the tie-rod to the end block on the left hand side, and temporarily tighten the round head Phillips screws. (2 screws)
- ③ Check the O-ring is fitted in the groove of the connection on each manifold block and then insert each block to the tie-rod.
- ④ Temporarily tighten the round head Phillips screws on the right hand side. (2 screws)
- ⑤ Additionally tighten the round head Phillips screws on both sides of the manifold with the recommended tightening torque.

⚠ Caution

- ① Before dis-assembly, be sure to check that no inlet or outlet pressure is applied and exhaust the internal pressure thoroughly before starting work.
- ② After assembly, if the connection between each block, or the tightened tie-rod screws is insufficient, air leakage may occur. Before use, only connect the air after confirming that all the components are securely fixed and that there is no air leakage.

● How to remove DIN rail for DIN rail mount type

Exploded view



1 Dis-assembly

- ① Loosen the round head combination screws. (located on both the right and left hand side)
- ② Remove the DIN rail, sliding it horizontally.
- ③ Remove the retaining bracket.

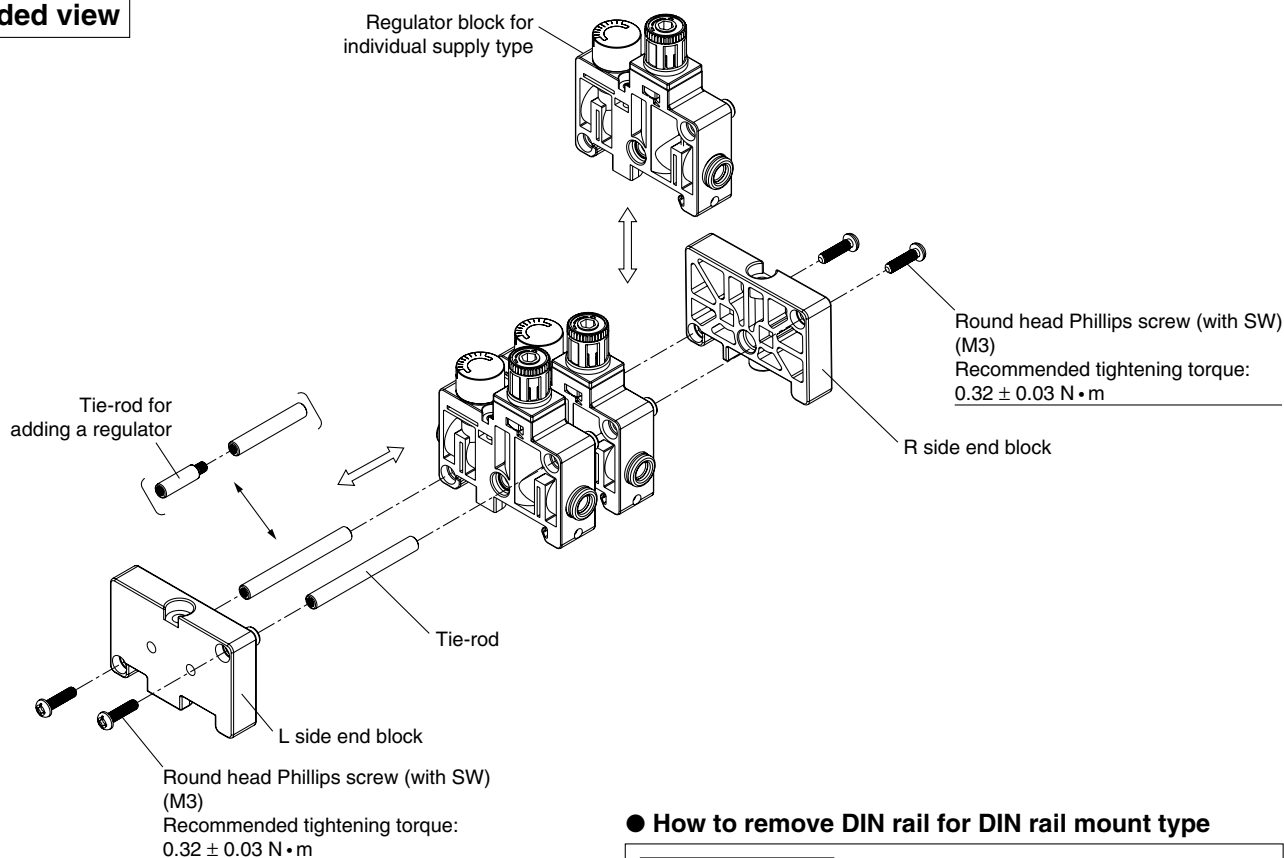
2 Assembly

- ① Set the retaining bracket to the original position.
- ② Insert the DIN rail.
- ③ Tighten the round head combination screw with the recommended tightening torque. (located on both the right and left hand side)

● In case of the Individual air supply type

It's possible to add the regulator block and also alter the position.

Exploded view



1 Dis-assembly

- ① Loosen the 4 round head Phillips screws at the corners of the end block.
- ② Remove the tie-rod from the end block and regulator block.

2 Additional parts (Please prepare separately.)

- ① Regulator block
- ② Tie-rod
Note) A tie-rod, which corresponds to the regulator block stations, or an additional tie-rod for increasing the station will be required.

3 Assembly

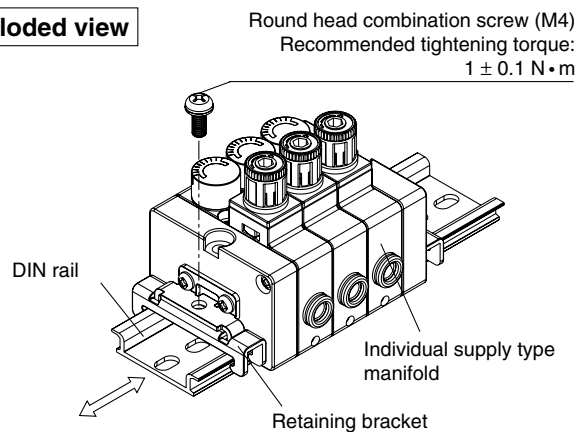
- ① Connect the tie-rods.
- ② Insert the tie-rod to the end block on the right side, and temporarily tighten the round head Phillips screws. (2 screws)
- ③ Insert each block to the tie-rod.
- ④ Temporarily tighten the round head Phillips screws on the right hand side. (2 screws)
- ⑤ Additionally tighten the round head Phillips screws on both sides of the manifold with the recommended tightening torque.

⚠ Caution

- ① Before dis-assembly, be sure to check that no inlet or outlet pressure is applied and exhaust the internal pressure thoroughly before starting the job.

● How to remove DIN rail for DIN rail mount type

Exploded view



1 Dis-assembly

- ① Loosen the round head combination screws. (located on both the right and left hand side)
- ② Remove the DIN rail, sliding it horizontally.
- ③ Remove the retaining bracket.

2 Assembly

- ① Set the retaining bracket to the original position.
- ② Insert the DIN rail.
- ③ Tighten the round head combination screw with the recommended tightening torque. (located on both the right and left hand side)

Regulator Single Unit Type Series **ARM5S**


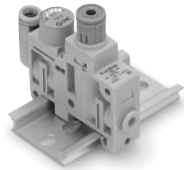
How to Order

ARM5 S A 07 □ □ □

① ② ③ ④ ⑤

Single unit type ●

1. Regulator Mounting

Symbol	A	B
How to mount	Direct mount	DIN rail mount <small>Note)</small>
Appearance		

Note) Both the square nut and the hexagon socket head screw are attached for the DIN rail mount type. (DIN rail is not attached.) Refer to back page 4 for handling.

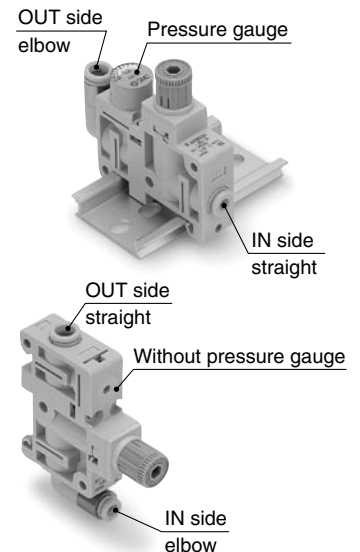
2. IN/OUT Fitting Type

Metric size

Mounting position	IN side				OUT side			
	Straight		Elbow		Straight		Elbow	
Symbol	ø4	ø6	ø4	ø6	ø4	ø6	ø4	ø6
06	●				●			
07		●						
08		●				●		
18			●				●	
19				●			●	
20				●				●
25	●						●	
26		●					●	
27		●						●
32			●		●			
33				●	●			
34				●		●		

Inch size

Mounting position	IN side				OUT side			
	Straight		Elbow		Straight		Elbow	
Symbol	ø5/32	ø1/4	ø5/32	ø1/4	ø5/32	ø1/4	ø5/32	ø1/4
56	●				●			
57		●						
58		●				●		
68			●				●	
69				●			●	
70				●				●
75	●						●	
76		●					●	
77		●						●
82			●		●			
83				●	●			
84				●		●		



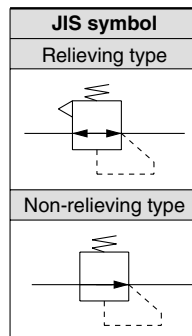
3. Accessory

Symbol	Accessory
-	Without pressure gauge
A	With pressure gauge

4. Options

Symbol	None	0.35 MPa setting <small>Note)</small>	Non-relieving
-	●		
1		●	
2			●
3		●	●

Note) A pressure gauge with a full span of 0.8 MPa is attached.



5. Unit Representation

Symbol	Description
-	Display unit for product name plate and pressure gauge: MPa
Z <small>Note)</small>	Display unit for product name plate and pressure gauge: PSI

Note) This option is available for use outside Japan only. (The SI units must be used in Japan.)

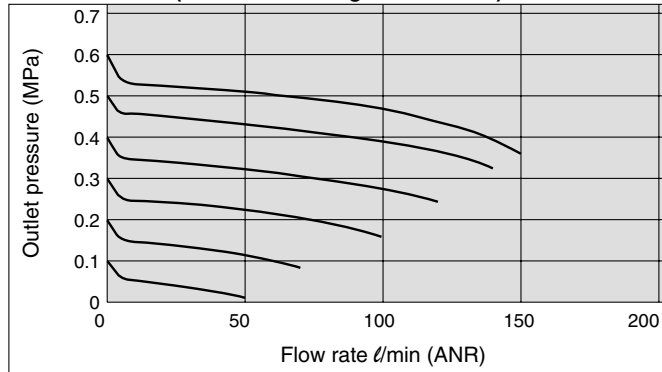
Standard Specifications

Model		ARM5S
Regulator construction		Direct acting
Working principle		Piston type
Relief mechanism	Standard	Relieving type
	Optional	Non-relieving type
Backflow function		Built-in (Unbalanced type)
IN side tubing O.D.		ø4, ø6, ø5/32", ø1/4"
OUT side tubing O.D.		ø4, ø6, ø5/32", ø1/4"
Proof pressure		1.5 MPa
Maximum operating pressure		1.0 MPa
Set pressure range	Standard	0.05 to 0.7 MPa
	Optional	0.05 to 0.35 MPa (Low pressure type)
Fluid		Air
Ambient and fluid temperature		5 to 60°C
Weight (at ARM5SA-08-A)		33 g

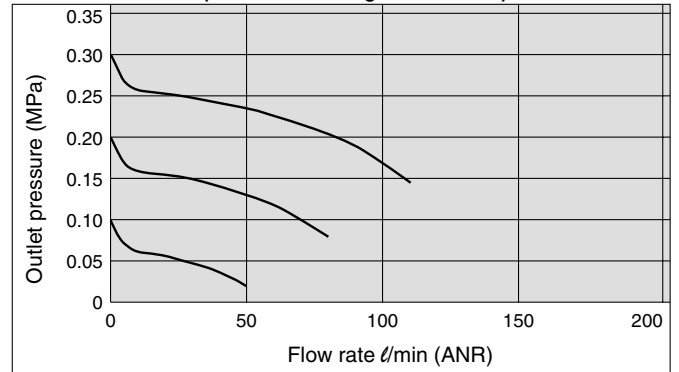
Note) 0.1 MPa or greater set pressure is required when used in the reverse flow.

Flow Characteristics (Representative Values)

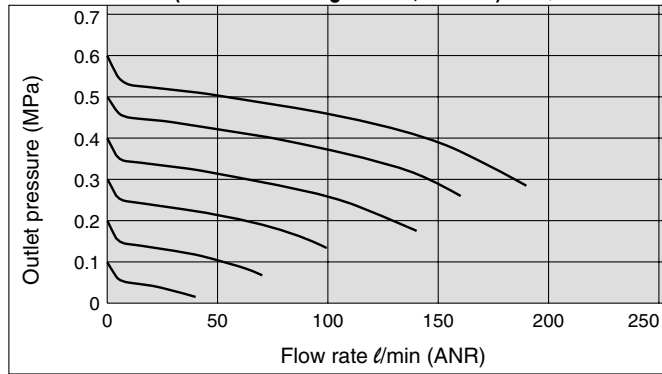
ARM5SA-06 (One-touch fittings: IN/OUT $\phi 4$) Condition: Inlet pressure 0.7 MPa



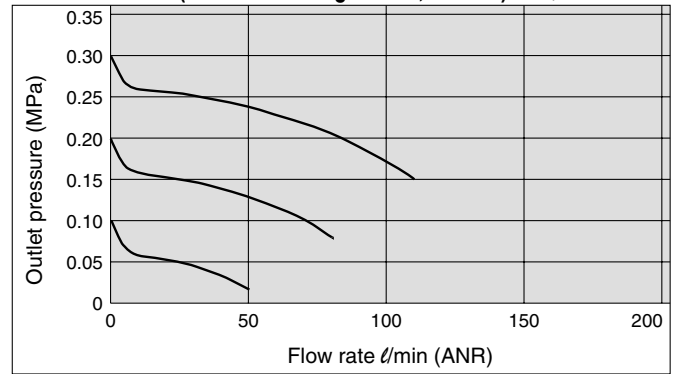
ARM5SA-06-1 (One-touch fittings: IN/OUT $\phi 4$) Condition: Inlet pressure 0.5 MPa



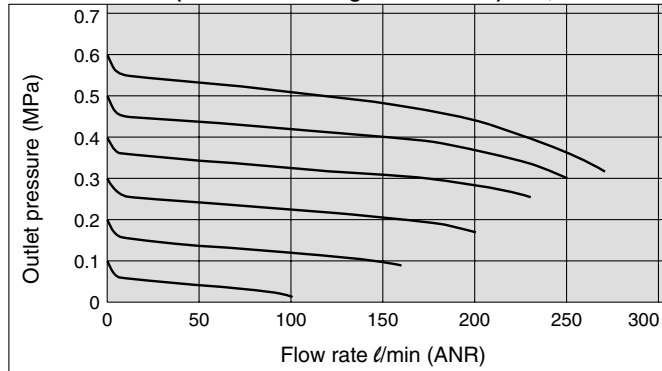
ARM5SA-07 (One-touch fittings: IN $\phi 6$, OUT $\phi 4$) Condition: Inlet pressure 0.7 MPa



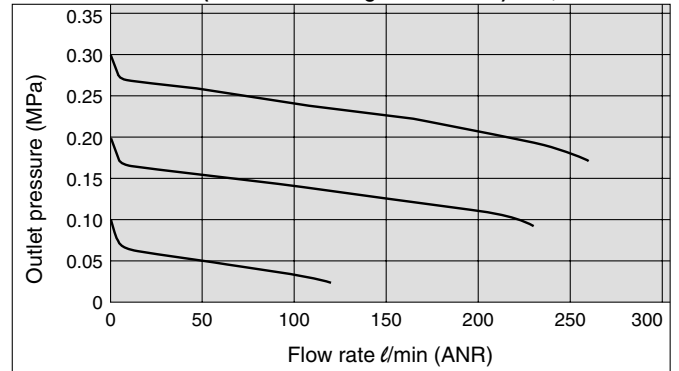
ARM5SA-07-1 (One-touch fittings: IN $\phi 6$, OUT $\phi 4$) Condition: Inlet pressure 0.5 MPa



ARM5SA-08 (One-touch fittings: IN/OUT $\phi 6$) Condition: Inlet pressure 0.7 MPa

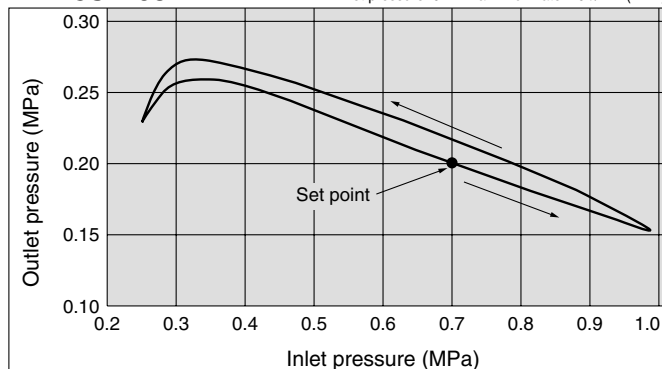


ARM5SA-08-1 (One-touch fittings: IN/OUT $\phi 6$) Condition: Inlet pressure 0.5 MPa

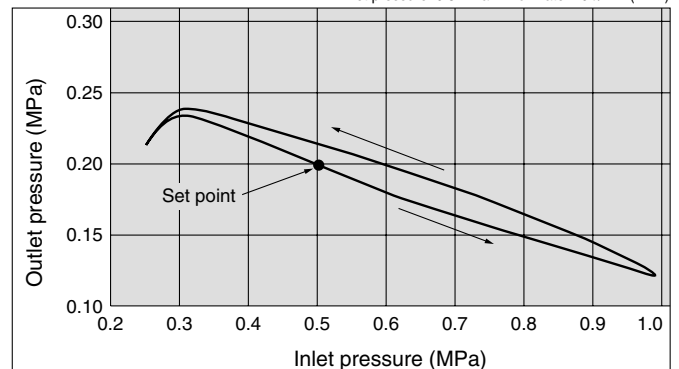


Pressure Characteristics (Representative Values)

ARM5SA-08 Condition: Inlet pressure 0.7 MPa, Outlet pressure 0.2 MPa, Flow rate 20 l/min (ANR)

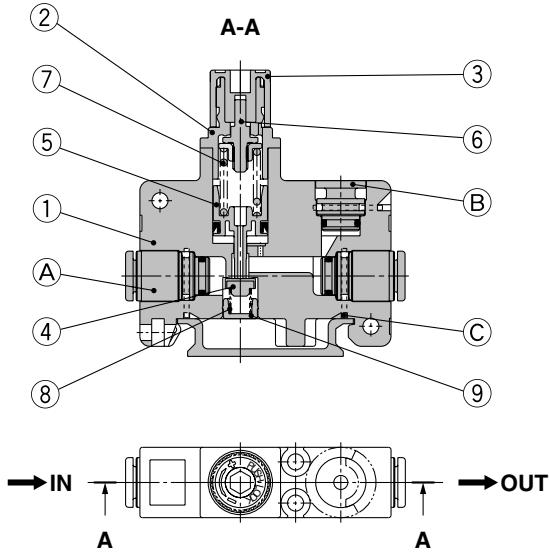


ARM5SA-08-1 Condition: Inlet pressure 0.5 MPa, Outlet pressure 0.2 MPa, Flow rate 20 l/min (ANR)



Series ARM5S

Construction (Regulator)



Component Parts

No.	Description	Material
1	Body (for single unit)	PBT
2	Bonnet	PBT
3	Handle	POM
4	Valve	HNBR, Aluminum alloy
5	Piston assembly	POM, NBR
6	Adjusting screw assembly	—
7	Adjusting spring	Stainless steel
8	Valve spring	Stainless steel
9	Valve guide	Brass
10	Clip	Stainless steel

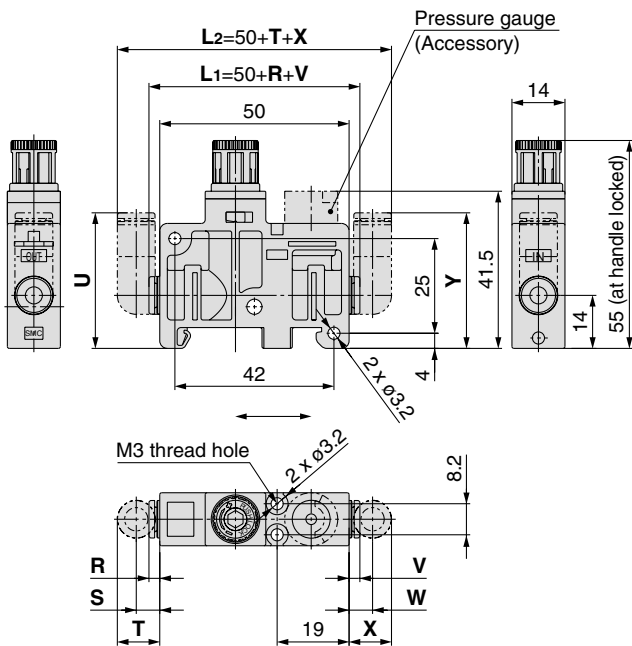
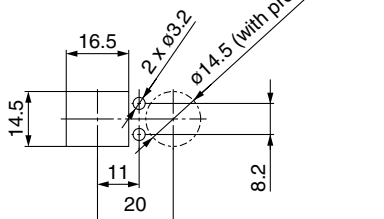
Replacement Parts

No.	Description	Material	Part no.
A	Fitting assembly	—	Refer to page 20.
B	Port plug	PBT, HNBR	Refer to page 14.
C	Clip	Stainless steel	136010

Dimensions

ARM5SA Single unit type (Direct mount)

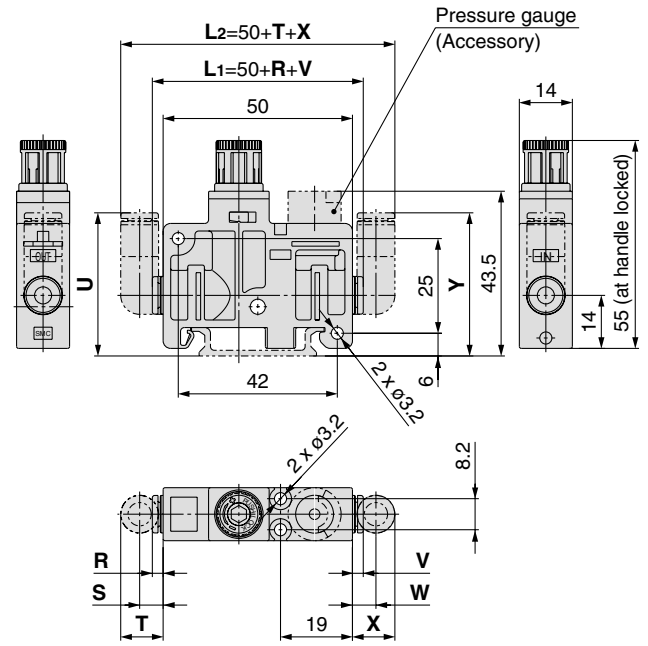
Panel cut dimension



Fitting size	IN side				OUT side			
	Straight	Elbow	Elbow	Elbow	Straight	Elbow	Elbow	Elbow
	R	S	T	U	V	W	X	Y
ø4, ø5/32	2.5	6	11	35.5	2.5	6	11	35.5
ø6	3	6.5	11	36	3	6.5	11	36
ø1/4	6.5	6	11.5	38.5	6.5	6	11.5	38.5

ARM5SB Single unit type (DIN rail mount)

For dimensions of one-touch fittings and accessories, please refer to page 20.



Fitting size	IN side				OUT side			
	Straight	Elbow	Elbow	Elbow	Straight	Elbow	Elbow	Elbow
	R	S	T	U	V	W	X	Y
ø4, ø5/32	2.5	6	11	37.5	2.5	6	11	37.5
ø6	3	6.5	11	38	3	6.5	11	38
ø1/4	6.5	6	11.5	40.5	6.5	6	11.5	40.5

Regulator/Single Unit Type Options

Pressure Gauge

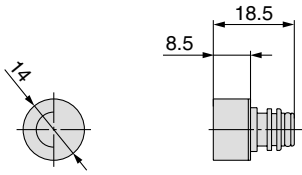
G14- 8-JA



• Indication unit

Symbol	Indication unit	Pressure gauge indication range
-	MPa	0 to 0.8 MPa
P	PSI	0 to 120 PSI

Note) An O-ring is attached.
For details on how to replace, refer to back page 5.



One-touch Fittings for Regulator

VVQ1000-50A- C4

• One-touch fittings for regulator

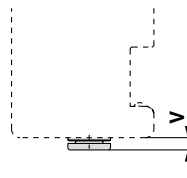
• Fitting type

-	Straight
L1	Elbow

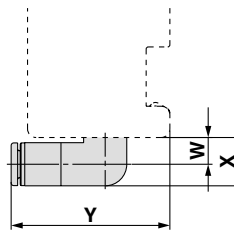
• Fitting size

C4	ø4
C6	ø6
N3	ø5/32
N7	ø1/4

Straight type



Elbow type



Fitting size	One-touch fittings for regulator			
	Straight	Elbow	Elbow	Elbow
	V	W	X	Y
ø4, ø5/32	2.5	6	11	35.5
ø6	3	6.5	11	36
ø1/4	6.5	6	11.5	38.5
ø8, ø5/16	—	—	—	—

Note) An O-ring is attached.
For details on how to replace, refer to back page 5.






Series ARM5

Safety Instructions

These safety instructions are intended to prevent a hazardous situation and/or equipment damage. These instructions indicate the level of potential hazard by labels of "Caution", "Warning" or "Danger". To ensure safety, be sure to observe ISO 4414 ^{Note 1)}, JIS B 8370 ^{Note 2)} and other safety practices.

■ Explanation of the Labels

Labels	Explanation of the labels
 Danger	In extreme conditions, there is a possible result of serious injury or loss of life.
 Warning	Operator error could result in serious injury or loss of life.
 Caution	Operator error could result in injury ^{Note 3)} or equipment damage. ^{Note 4)}

Note 1) ISO 4414: Pneumatic fluid power – General rules relating to systems

Note 2) JIS B 8370: General Rules for Pneumatic Equipment

Note 3) Injury indicates light wounds, burns and electrical shocks that do not require hospitalisation or hospital visits for long-term medical treatment.

Note 4) Equipment damage refers to extensive damage to the equipment and surrounding devices.

■ Selection/Handling/Applications

1. The compatibility of the pneumatic equipment is the responsibility of the person who designs the pneumatic system or decides its specifications.

Since the products specified here are used in various operating conditions, their compatibility for the specific pneumatic system must be based on specifications or post analysis and/or tests to meet the specific requirements. The expected performance and safety assurance are the responsibility of the person who has determined the compatibility of the system. This person should continuously review the suitability of all items specified, referring to the latest catalogue information with a view to giving due consideration to any possibility of equipment failure when configuring a system.

2. Only trained personnel should operate pneumatic machinery and equipment.

Compressed air can be dangerous if handled incorrectly. Assembly, handling or repair of the systems using pneumatic equipment should be performed by trained and experienced operators. (Understanding JIS B 8370 General Rules for Pneumatic Equipment, and other safety rules are included.)

3. Do not service the machinery/equipment or attempt to remove components until safety is confirmed.

1. Inspection and maintenance of the machinery/equipment should only be performed once measures to prevent falling or runaway of the driven objects have been confirmed.
2. If the equipment must be removed, confirm the safety process as mentioned above. Turn off the supply pressure for the equipment and exhaust all residual compressed air in the system, and release all the energy (liquid pressure, spring, condenser, gravity).
3. Before the machinery/equipment is restarted, take measures to prevent quick extension of a cylinder piston rod, etc.

4. If the equipment will be used in the following conditions or environment, please contact SMC first and be sure to take all necessary safety precautions.

1. Conditions and environments beyond the given specifications, or if product is used outdoors.
2. Installation on equipment in conjunction with atomic energy, railway, air navigation, vehicles, medical equipment, food and beverages, recreation equipment, emergency stop circuits, clutch and brake circuits in press applications, or safety equipment.
3. An application which has the possibility of having negative effects on people, property, requiring special safety analysis.
4. If the products are used in an interlock circuit, prepare a double interlock style circuit with a mechanical protection function for the prevention of a breakdown. And, examine the devices periodically if they function normally or not.

■ Exemption from Liability

1. SMC, its officers and employees shall be exempted from liability for any loss or damage arising out of earthquakes or fire, action by a third person, accidents, customer error with or without intention, product misuse, and any other damages caused by abnormal operating conditions.

2. SMC, its officers and employees shall be exempted from liability for any direct or indirect loss or damage, including consequential loss or damage, loss of profits, or loss of chance, claims, demands, proceedings, costs, expenses, awards, judgments and any other liability whatsoever including legal costs and expenses, which may be suffered or incurred, whether in tort (including negligence), contract, breach of statutory duty, equity or otherwise.

3. SMC is exempted from liability for any damages caused by operations not contained in the catalogues and/or instruction manuals, and operations outside of the specification range.

4. SMC is exempted from liability for any loss or damage whatsoever caused by malfunctions of its products when combined with other devices or software.



Series ARM5 Compact Manifold Regulator Precautions 1

Be sure to read this before handling.

Design and Selection

Warning

1. Confirm the specifications.

The products appearing in this catalogue are designed for use only in compressed air systems.

Do not use outside the specified ranges of pressure, temperature, etc., as this may cause damage or faulty operation. Please consult with SMC if fluid other than compressed air is to be used.

2. Do not use the products in this catalogue as “safety accessories” stipulated in Art. 1, paragraph 2.1.3 and Art. 3, paragraph 1.4 of Pressure Equipment Directive (97/23/EC).

The Pressure Equipment Directive defines a safety accessory as a device which is designed to prevent pressure equipment from exceeding the allowable limit values.

3. Confirm the set pressure range.

Be sure to install safety devices as output pressure above the set range can lead to damage or malfunction of equipment on the outlet side.

4. Residual pressure relief when the inlet pressure has been released.

In cases where the inlet pressure has been released while the outlet pressure is in a low-pressure setting state, it may not be possible to exhaust the outlet pressure (residual pressure relief). Provide a residual pressure relief circuit if reliable outlet pressure relief must be performed.

5. When used with a closed downstream circuit and balance circuit.

Please contact SMC as there are cases in which the product cannot be used.

Mounting

Warning

1. Read the instruction manual carefully.

The product should be mounted and operated with a good understanding of its contents. Also, keep the manual where it can be easily referred to at any time.

2. Ensure space for maintenance.

Ensure the necessary space for maintenance activities.

3. Strictly observe the tightening torque of the screws.

Tighten the screws at the recommended torque during installation.

Piping

Caution

Precautions in use of one-touch fittings

1) Tubing installation

1. Take a tubing with no flaws on its periphery and cut it off at a right angle. Use a TK-1, 2 or 3 tubing cutter to cut the tubing. Do not use pinchers, nippers or scissors, etc. The tubing might be cut diagonally or flattened, making installation impossible or causing problems such as disconnection and leakage. Also, ensure sufficient tubing length.
2. Hold the tubing and push it in slowly, inserting it securely all the way into the fitting.

Piping

Caution

3. After inserting the tubing, pull it lightly to confirm that it will not come out. If the tubing is not inserted to the end, air leakage or disconnection may occur.
4. When piping, increase the length of the tubing to allow for any possible warping, increased tension or moment load, etc. to the fittings and tubing.

2) Tubing removal

1. Push both the release bushing and flange.
2. Pull out the tubing while holding the release bushing so that it will not be locked again. Insufficient pressure on the release bushing will result in increased biting force that will impede the tubing removal.
3. When re-using a removable tubing, cut off the deformed part. If the deformed part of the tubing is used, it can cause air leakage or impede the tubing removal.

In cases where a tubing brand other than SMC is used, confirm that the tubing outside diameter accuracy satisfies the following specifications.

1. Nylon tubing ± 0.1 mm or less
 2. Soft nylon tubing ± 0.1 mm or less
 3. Polyurethane tubing $+0.15$ mm or less/ -0.2 mm or less
- Do not use the tubing if it does not satisfy the outside diameter accuracy. Tubing connection may be impossible or air leakage or tubing disconnection may occur after connection.

Air Supply

Warning

1. Use clean air.

Do not use the regulator if the compressed air contains synthetic oil including chemicals or organic solvents, salt or corrosive gas. It may lead to damage or malfunction.

Caution

1. Install an air filter.

Install an air filter on the inlet side in close proximity with the regulator. Select a type with $5 \mu\text{m}$ or smaller filtration.

2. Install an after-cooler, air dryer or water separator to remove drainage.

Compressed air containing excessive drainage may cause malfunction of the regulator, pressure switch or other pneumatic equipment.

3. If an excessive amount of carbon powder is generated, install a mist separator as a measure.

If an excessive amount of carbon powder is generated from the compressor, it may adhere to the interior of the regulator and cause malfunction.

Refer to the Best Pneumatics catalogue for further details on compressed air quality.



Series ARM5 Compact Manifold Regulator Precautions 2

Be sure to read this before handling.

Operating Environment

⚠ Warning

1. Do not operate in locations having an atmosphere of corrosive gases, chemicals, sea water, fresh water or water vapour, or where there will be contact with the same.
2. In locations which receive direct sunlight, the sunlight should be blocked .
3. Do not operate in locations where vibration or impact occurs.
4. Do not operate in a location near a heat source or where radiated heat will be received.

Adjustment

⚠ Warning

Regulator

1. Set up the regulator while verifying the pressure that is indicated on the inlet side and outlet side pressure gauges. Turning the handle excessively could damage the internal parts.
2. Turn the adjustment handle after unlocking. If you attempt to turn the handle when locked, the connecting part, between the body and the bonnet, may be damaged.
3. The adjustment handle must be operated manually. The use of a hexagon wrench to increase pressure is allowable, but using it to decrease pressure could lead to damage.

⚠ Caution

Regulator

1. Set up the regulator after carefully verifying the pressure that is indicated on the inlet side pressure gauge.
2. Set the outlet pressure in a range that is within 85% of the inlet pressure. Also, it should not exceed the set pressure range.
3. Release the lock to adjust the pressure. After the adjustment, engage the lock. Failure to observe this procedure could damage the handle or cause the outlet pressure to fluctuate.
4. Turning the pressure adjustment handle clockwise increases the outlet pressure and turning it counterclockwise decreases the pressure. (To achieve the final set pressure, gradually increase from low pressure until the desired pressure is reached.)

Adjustment

⚠ Caution

Pressure gauge and one-touch fittings

1. The pressure gauge and one-touch fittings are cassette type, which enable them to be rotated and adjusted at the desired angle. But you must check that no pressure is applied internally and that the air is fully exhausted beforehand.

Maintenance

⚠ Caution

1. Maintenance should be performed according to the procedure indicated in the instruction manual.

Improper handling can cause damage and malfunction of equipment and machinery.

2. Maintenance operations

Improper handling of compressed air is dangerous. Therefore, in addition to observing the product specifications, replacement of elements and other maintenance activities should be performed by personnel having sufficient knowledge and experience pertaining to pneumatic equipment.

3. Pre-maintenance inspection

When removing this product, turn off the electric power, and be certain to shut off the supply pressure and exhaust the compressed air in the system. Proceed only after confirming that all pressure has been released to the atmosphere.

4. Post maintenance inspection

After installation or repair, re-connect compressed air and electricity and conduct appropriate inspections to confirm proper operation. If there is an audible air leakage, or if the equipment does not operate properly, stop operation and confirm that the equipment is installed correctly.

5. Modification is prohibited.

Do not modify or re-construct the unit.



Series ARM5

Blocks

Specific Product Precautions 1

Be sure to read this before handling.

Handling

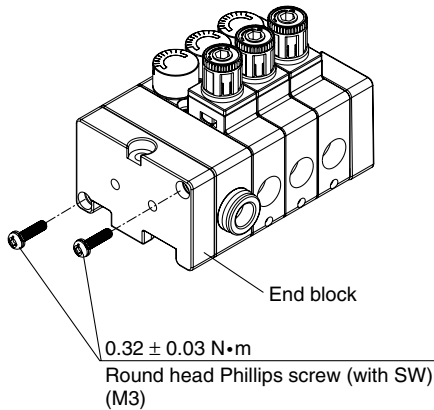
Warning

Observe the proper screw tightening torque during installation.

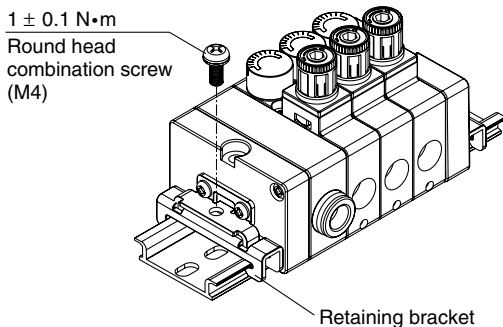
Tightening beyond the proper tightening torque may damage the mounting screws, blocks or switches.

If the force is below the tightening torque range, the threaded joint can come loose.

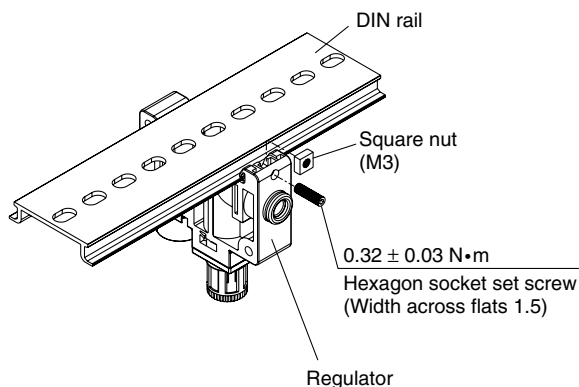
1. Tightening torque for round head Phillips screws for tie-rods of the regulator manifold.



2. Tightening torque for round head combination screws for DIN rail of the regulator manifold



3. Tightening torque for hexagon socket set screws for DIN rail of the regulator manifold

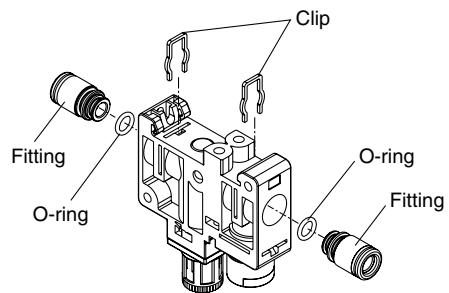


Caution

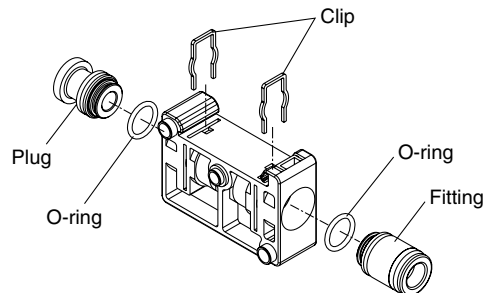
One-touch fitting replacement

For the ease of replacement, one-touch fittings are installed as the cassette type. One-touch fittings are retained with clips inserted from the directions illustrated below. Remove the clips with a flat head screw driver to replace the one-touch fittings. When installing, insert each one-touch fitting deeply to the end and reinsert the clip to the specified position.

1. Regulator block



2. Centralised supply block



Note 1) Before replacing, be sure to confirm that no inlet or outlet pressure is applied and that the internal pressure is fully exhausted. Replacing with the pressure kept inside is dangerous.

Note 2) Gently remove the clip by hand. Pulling forcibly may cause the clip to pop out, resulting in dangerous replacement.

Note 3) When removing the straight type one-touch fitting from each block, remove the clip, connect a tube or plug (KQP-□□) with the one-touch fitting, and pull out by supporting the tube (or plug). The bushing may be damaged, if released by supporting the release bushing of the one-touch fitting.

Note 4) Insert the clip thoroughly after replacement parts are inserted completely. If using with the clip inserted insufficiently, it may cause the clip to be released, resulting in dangerous operation.

Note 5) When inserting a tube into the elbow type one-touch fitting, hold the fitting body in your hand and insert the tube. If the tube is inserted without support, an unreasonable force may be applied on the blocks or one-touch fittings, resulting in air leakage or product failure.



Series **ARM5**

Blocks

Specific Product Precautions 2

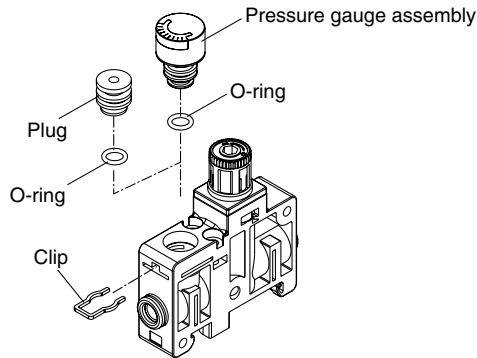
Be sure to read this before handling.

Handling

Caution

Pressure gauge and port plug replacement

Possible to replace the pressure gauge and port plug the same as the one-touch fitting replacement.



- Note 1) Before replacing, be sure to confirm that no inlet or outlet pressure is applied and that the internal pressure is fully exhausted. Replacing with the pressure kept inside is dangerous.
- Note 2) Gently remove the clip by hand. Pulling forcibly may cause the clip to pop out, resulting in dangerous replacement.
- Note 3) Insert the clip thoroughly after replacement parts are inserted completely. If using with the clip inserted insufficiently, it may cause the clip to be released, resulting in dangerous operation.



EUROPEAN SUBSIDIARIES:



Austria

SMC Pneumatik GmbH (Austria).
Girakstrasse 8, A-2100 Korneuburg
Phone: +43 2262-62280, Fax: +43 2262-62285
E-mail: office@smc.at
http://www.smc.at



France

SMC Pneumatique, S.A.
1, Boulevard de Strasbourg, Parc Gustave Eiffel
Bussy Saint Georges F-77607 Marne La Vallée Cedex 3
Phone: +33 (0)1-6476 1000, Fax: +33 (0)1-6476 1010
E-mail: contact@smc-france.fr
http://www.smc-france.fr



Netherlands

SMC Pneumatics BV
De Ruyterkade 120, NL-1011 AB Amsterdam
Phone: +31 (0)20-5318888, Fax: +31 (0)20-5318880
E-mail: info@smcpneumatics.nl
http://www.smcpneumatics.nl



Spain

SMC España, S.A.
Zuazobidea 14, 01015 Vitoria
Phone: +34 945-184 100, Fax: +34 945-184 124
E-mail: post@smc.smces.es
http://www.smces.es



Belgium

SMC Pneumatics N.V./S.A.
Nijverheidsstraat 20, B-2160 Wommelgem
Phone: +32 (0)3-355-1464, Fax: +32 (0)3-355-1466
E-mail: info@smcpneumatics.be
http://www.smcpneumatics.be



Germany

SMC Pneumatik GmbH
Boschring 13-15, D-63329 Egelsbach
Phone: +49 (0)6103-4020, Fax: +49 (0)6103-402139
E-mail: info@smc-pneumatik.de
http://www.smc-pneumatik.de



Norway

SMC Pneumatics Norway A/S
Vollsveien 13 C, Granfos Næringspark N-1366 Lysaker
Tel: +47 67 12 90 20, Fax: +47 67 12 90 21
E-mail: post@smc-norge.no
http://www.smc-norge.no



Sweden

SMC Pneumatics Sweden AB
Ekhagsvägen 29-31, S-141 71 Huddinge
Phone: +46 (0)8-603 12 00, Fax: +46 (0)8-603 12 90
E-mail: post@smcpneumatics.se
http://www.smc.nu



Bulgaria

SMC Industrial Automation Bulgaria EOOD
16 Kliment Ohridski Blvd., fl.13 BG-1756 Sofia
Phone: +359 2 9744492, Fax: +359 2 9744519
E-mail: office@smc.bg
http://www.smc.bg



Greece

SMC Hellas EPE
Anagenniseos 7-9 - P.C. 14342, N. Philadelphia, Athens, Greece
Phone: +30-210-2717265, Fax: +30-210-2717766
E-mail: sales@smchellas.gr
http://www.smchellas.gr



Poland

SMC Industrial Automation Polska Sp.z.o.o.
ul. Konstruktorska 11A, PL-02-673 Warszawa,
Phone: +48 22 548 5085, Fax: +48 22 548 5087
E-mail: office@smc.pl
http://www.smc.pl



Switzerland

SMC Pneumatik AG
Dorfstrasse 7, CH-8484 Weisslingen
Phone: +41 (0)52-396-3131, Fax: +41 (0)52-396-3191
E-mail: info@smc.ch
http://www.smc.ch



Croatia

SMC Industrijska automatika d.o.o.
Cromerec 12, 10000 ZAGREB
Phone: +385 1 377 66 74, Fax: +385 1 377 66 74
E-mail: office@smc.hr
http://www.smc.hr



Hungary

SMC Hungary Ipari Automatizálási Kft.
Budafoki út 107-113, H-1117 Budapest
Phone: +36 1 371 1343, Fax: +36 1 371 1344
E-mail: office@smc.hu
http://www.smc.hu



Portugal

SMC Sucursal Portugal, S.A.
Rua de Engº Ferreira Dias 452, 4100-246 Porto
Phone: +351 22-610-89-22, Fax: +351 22-610-89-36
E-mail: postpt@smc.smces.es
http://www.smces.es



Turkey

Entek Pnömatik San. ve Tic Ltd. Sti.
Perpa Tic. Merkezi Kat: 11 No: 1625, TR-80270 Okmeydanı Istanbul
Phone: +90 (0)212-221-1512, Fax: +90 (0)212-221-1519
E-mail: smc-entek@entek.com.tr
http://www.entek.com.tr



Czech Republic

SMC Industrial Automation CZ s.r.o.
Hudcova 78a, CZ-61200 Brno
Phone: +420 5 414 24611, Fax: +420 5 412 18034
E-mail: office@smc.cz
http://www.smc.cz



Ireland

SMC Pneumatics (Ireland) Ltd.
2002 Citywest Business Campus, Naas Road, Saggart, Co. Dublin
Phone: +353 (0)1-403 9000, Fax: +353 (0)1-464-0500
E-mail: sales@smcpneumatics.ie
http://www.smcpneumatics.ie



Romania

SMC Romania srl
Str Frunzei 29, Sector 2, Bucharest
Phone: +40 213205111, Fax: +40 213261489
E-mail: smcromania@smcromania.ro
http://www.smcromania.ro



UK

SMC Pneumatics (UK) Ltd
Vincent Avenue, Crownhill, Milton Keynes, MK8 0AN
Phone: +90 (0)800 1382930 Fax: +44 (0)1908-555064
E-mail: sales@smcpneumatics.co.uk
http://www.smcpneumatics.co.uk



Denmark

SMC Pneumatik A/S
Knudsminde 4B, DK-8300 Odder
Phone: +45 70252900, Fax: +45 70252901
E-mail: smc@smc-pneumatik.dk
http://www.smc.dk.com



Italy

SMC Italia S.p.A
Via Garibaldi 62, I-20061 Carugate, (Milano)
Phone: +39 (0)2-92711, Fax: +39 (0)2-9271365
E-mail: mailbox@smcitalia.it
http://www.smcitalia.it



Russia

SMC Pneumatik LLC.
4B Sverdlovskaja nab, St. Petersburg 195009
Phone: +812 718 5445, Fax: +812 718 5449
E-mail: info@smc-pneumatik.ru
http://www.smc-pneumatik.ru



Estonia

SMC Pneumatics Estonia OÜ
Laki 12-101, 106 21 Tallinn
Phone: +372 (0)6 593540, Fax: +372 (0)6 593541
E-mail: smc@smcpneumatics.ee
http://www.smcpneumatics.ee



Latvia

SMC Pneumatics Latvia SIA
Smerla 1-705, Riga LV-1006, Latvia
Phone: +371 781-77-00, Fax: +371 781-77-01
E-mail: info@smclv.lv
http://www.smclv.lv



Slovakia

SMC Priemyselna Automatizacia, s.r.o.
Námestie Martina Benku 10, SK-81107 Bratislava
Phone: +421 2 444 56725, Fax: +421 2 444 56028
E-mail: office@smc.sk
http://www.smc.sk



Finland

SMC Pneumatics Finland OY
PL72, Tiistiniittyntie 4, SF-02031 ESPOO
Phone: +358 207 513513, Fax: +358 207 513595
E-mail: smcfi@smc.fi
http://www.smc.fi



Lithuania

SMC Pneumatics Lietuva, UAB
Savanoriu pr. 180, LT-01354 Vilnius, Lithuania
Phone: +370 5 264 81 26, Fax: +370 5 264 81 26



Slovenia

SMC industrijska Avtomatika d.o.o.
Grajski trg 15, SLO-8360 Zuzemberk
Phone: +386 738 85240 Fax: +386 738 85249
E-mail: office@smc.si
http://www.smc.si



OTHER SUBSIDIARIES WORLDWIDE:

ARGENTINA, AUSTRALIA, BOLIVIA, BRASIL, CANADA, CHILE,
CHINA, HONG KONG, INDIA, INDONESIA, MALAYSIA, MEXICO,
NEW ZEALAND, PHILIPPINES, SINGAPORE, SOUTH KOREA,
TAIWAN, THAILAND, USA, VENEZUELA

<http://www.smceu.com>
<http://www.smcworld.com>