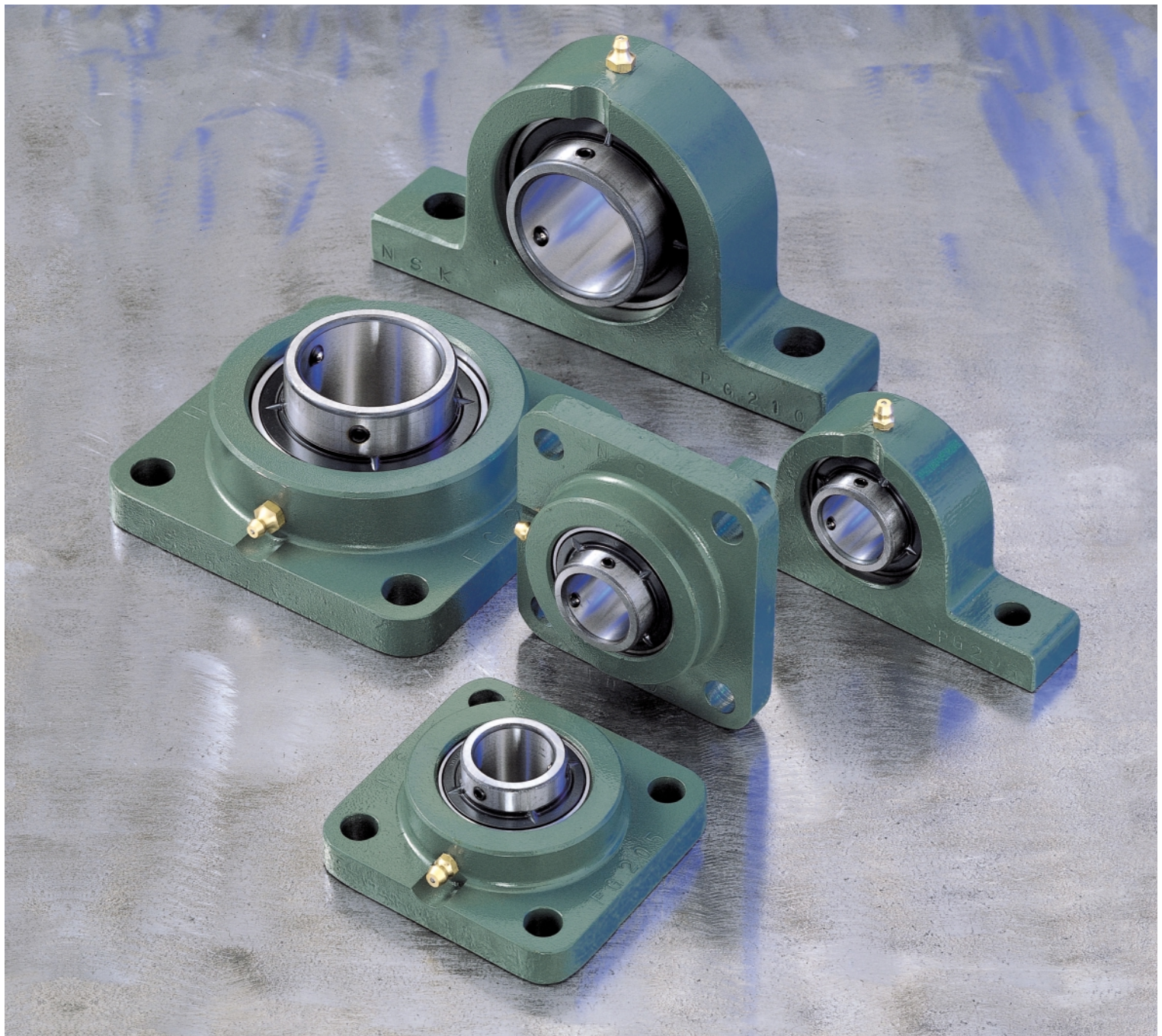
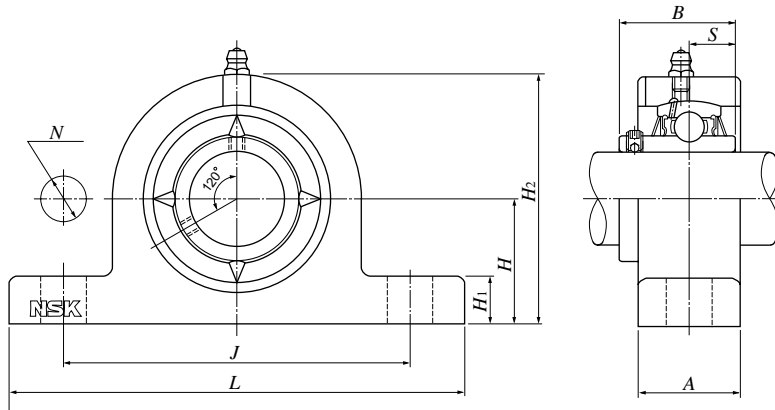


Ball Bearing Units Steel Series



Pillow Block Unit; UCPG2 series

Cylindrical bore with set screw



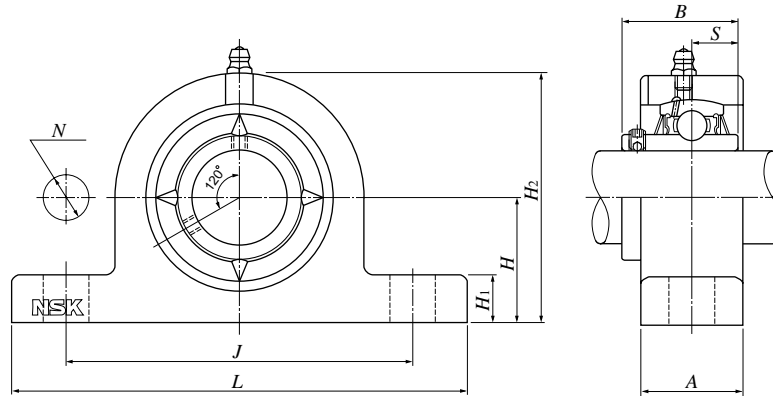
Bore dia. mm	Part number	Boundary dimensions mm									Nominal bolt dia.	Insert bearing number	Basic dynamic rated load kN Cr	Basic static rated load kN Cor	Housing part number	Mass kg (Ref.)
		H	L	J	A	N	H ₁	H ₂	B	S						
12	UCPG201D1	30.2	127	95	25	12	14	62	31	12.7	M10	UC201D1	12.8	6.65	PG203D1	0.7
15	UCPG202D1							UC202D1								
17	UCPG203D1							UC203D1								
20	UCPG204D1	33.3	65	34	14.3	UC204D1	PG204D1									
25	UCPG205D1	36.5						140	105	30		15	71	UC205D1	14.0	7.85
30	UCPG206D1	42.9	165	121	35	17	17	83	38.1	15.9	M14	UC206D1	19.5	11.3	PG206D1	1.3
35	UCPG207D1	47.6	167	127			18	93	42.9	17.5		UC207D1	25.7	15.3	PG207D1	1.6
40	UCPG208D1	49.2	184	137	40	20	18	98	49.2	19		UC208D1	29.1	17.8	PG208D1	1.9
45	UCPG209D1	54	190	146			20	106				UC209D1	32.5	20.4	PG209D1	2.2
50	UCPG210D1	57.2	206	159	45	19	21	114	51.6	M16		UC210D1	35.0	23.2	PG210D1	2.6
55	UCPG211D1	63.5	219	171			23	126	55.6		22.2	UC211D1	43.5	29.2	PG211D1	3.3
60	UCPG212D1	69.8	241	184	50	25	25	138	65.1		25.4	UC212D1	52.5	36.0	PG212D1	4.6
65	UCPG213D1	76.2	265	203			27	151		74.6		30.2	M20	UC213D1	57.5	40.0
70	UCPG214D1	79.4	266	210	55	27			157		77.8			33.3	UC214D1	62.0
75	UCPG215D1	82.6	275	217			24	28		163		77.8			33.3	UC215D1
80	UCPG216D1	88.9	292	232	60	30			175		82.6			33.3		UC216D1
85	UCPG217D1	95.2	310	247			32	187		85.7		34.1			33.3	UC217D1
90	UCPG218D1	101.6	327	262	65	26			33		200		96	39.7		M22

Note)

1. Stamped steel or cast iron dust covers are also available upon request.
2. Refer to catalog E 1154.
3. Ball bearing tolerances according to JIS B 1558.
4. Housing tolerances according to JIS B 1559.

Pillow Block Unit; UCPG3 series

Cylindrical bore with set screw



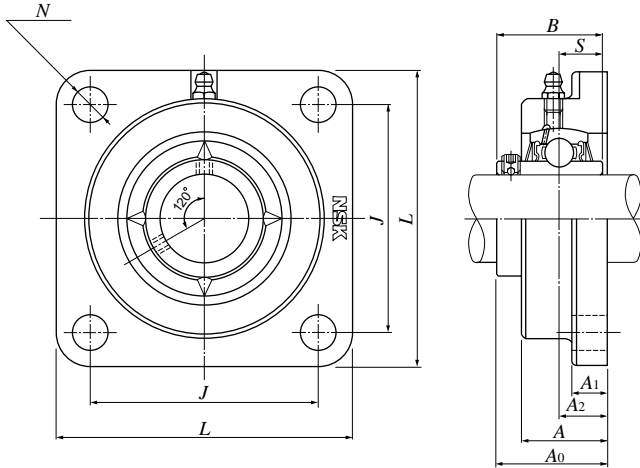
Bore dia. mm	Part number	Boundary dimensions mm									Nominal bolt dia.	Insert bearing number	Basic dynamic rated load kN Cr	Basic static rated load kN Cor	Housing part number	Mass kg (Ref.)
		H	L	J	A	N	H ₁	H ₂	B	S						
25	UCPG305D1	45	175	132	35	17	15	85	38	15	M14	UC305D1	21.2	10.9	PG305D1	1.4
30	UCPG306D1	50	180	140			18	95	43	17		19	UC306D1	26.7	15.0	PG306D1
35	UCPG307D1	56	210	160	40	20	106	48	22	UC307D1			33.5	19.1	PG307D1	2.8
40	UCPG308D1	60	220	170	45	22	116	52		22		UC308D1	40.5	24.0	PG308D1	3.0
45	UCPG309D1	67	245	190	50	19	24	129	57		M16	UC309D1	53.0	32.0	PG309D1	4.1
50	UCPG310D1	75	275	212	55		27	143	61	25		UC310D1	62.0	38.5	PG310D1	5.8
55	UCPG311D1	80	310	236	60	30	154	66	26			UC311D1	71.5	45.0	PG311D1	7.4
60	UCPG312D1	85	330	250	65	32	165	71		26		M20	UC312D1	82.0	52.0	PG312D1
65	UCPG313D1	90	340	260		33	176	75	30		35		UC313D1	92.5	60.0	PG313D1
70	UCPG314D1	95	360	280	75	26	187	78	33	M22		UC314D1	104	68.0	PG314D1	12
75	UCPG315D1	100	380	290			198	82	32		40	UC315D1	113	77.0	PG315D1	14
80	UCPG316D1	106	400	300	80	32	210	86	34			96	UC316D1	123	86.5	PG316D1
85	UCPG317D1	112	420	320			220	45	96		40		M27	UC317D1	133	97.0
90	UCPG318D1	118	430	330	235	250	103			41		M30		UC318D1	143	107
95	UCPG319D1	125	470	360	90	35	275	108	42	50	UC319D1		153	119	PG319D1	29
100	UCPG320D1	140	490	380			38	280	112		44	M33	UC320D1	173	141	PG320D1
105	UCPG321D1				275	108		42	UC321D1	184	153		PG321D1			
110	UCPG322D1	150	520	400	100	38	55	300	117	46	UC322D1	205	179	PG322D1	45	
120	UCPG324D1	160	570	450			65	320	126		51	M33	UC324D1	207	185	PG324D1
130	UCPG326D1	180	600	480	110	75	355	135	54	59	UC326D1		229	214	PG326D1	72
140	UCPG328D1	200	620	500			390	145	59		UC328D1	253	246	PG328D1	89	

Note)

1. Stamped steel or cast iron dust covers are also available upon request.
2. Refer to catalog E 1154.
3. Ball bearing tolerances according to JIS B 1558.
4. Housing tolerances according to JIS B 1559.

Square Flange Unit; UCFG2 series

Cylindrical bore with set screw



Bore dia. mm	Part number	Boundary dimensions mm									Nominal bolt dia.	Insert bearing number	Basic dynamic rated load kN C _r	Basic static rated load kN C _{0r}	Housing part number	Mass kg (Ref.)
		L	J	A ₂	A ₁	A	N	A ₀	B	S						
12	UCFG201D1	86	64	15	11	25.5	12	33.3	31	12.7	M10	UC201D1	12.8	6.65	FG204D1	0.7
15	UCFG202D1															
17	UCFG203D1															
20	UCFG204D1															0.6
25	UCFG205D1	95	70	16	13	27	12	35.7	34	14.3	M10	UC205D1	14.0	7.85	FG205D1	0.8
30	UCFG206D1	108	83	18		31		40.2	38.1	15.9		UC206D1	19.5	11.3	FG206D1	1.0
35	UCFG207D1	117	92	19	15	34	16	44.4	42.9	17.5	M12	UC207D1	25.7	15.3	FG207D1	1.4
40	UCFG208D1	130	102	21		36		51.2	19	49.2		M14	UC208D1	29.1	17.8	FG208D1
45	UCFG209D1	137	105	22	16	38	16	52.2		19	M14		UC209D1	32.5	20.4	FG209D1
50	UCFG210D1	143	111			40		54.6	51.6			UC210D1	35.0	23.2	FG210D1	2.4
55	UCFG211D1	162	130	25	18	43	19	58.4	55.6	22.2	M16	UC211D1	43.5	29.2	FG211D1	3.6
60	UCFG212D1	175	143	29		48		68.7	25.4	65.1		M16	UC212D1	52.5	36.0	FG212D1
65	UCFG213D1	187	149	30	22	50	19	69.7		33.3	M16		UC213D1	57.5	40.0	FG213D1
70	UCFG214D1	193	152	31		54		75.4	74.6			30.2	UC214D1	62.0	44.0	FG214D1
75	UCFG215D1	200	159	34	22	56	19	78.5	77.8	33.3	M16	UC215D1	66.0	49.5	FG215D1	6.9
80	UCFG216D1	208	165			58		83.3	82.6			M20	UC216D1	72.5	53.0	FG216D1
85	UCFG217D1	220	175	36	24	63	23	87.6	85.7	34.1	M20		UC217D1	83.5	64.0	FG217D1
90	UCFG218D1	235	187	40		68		96.3	96	39.7		UC218D1	96.0	71.5	FG218D1	11

Note)

1. Stamped steel or cast iron dust covers are also available upon request.
2. Refer to catalog E 1154.
3. Ball bearing tolerances according to JIS B 1558.
4. Housing tolerances according to JIS B 1559.

NSK Rolled Steel Housings Ensure A Safer Design

1. Features

Superior Housing Strength

Made of precision gas cut rolled steel, NSK steel housings offer superior strength characteristics when compared to cast iron and cast steel housings.

Consistent Microstructure

The rolled steel microstructure is more consistent than cast iron or cast steel, reducing the risk of housing fracture under severe conditions.

Interchangeability

Roller steel housing dimensions are consistent with cast units, allowing them to be interchanged with NSK standard housings and other manufacturers ISO standard.

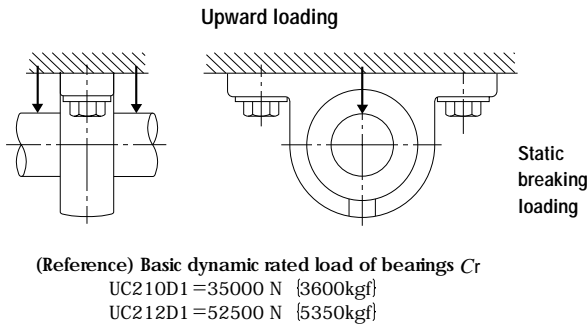
2. Bearing housing material

The bearing housings use material classified as SS400 of JIS G 3101 (Rolled Steel for General Structures). The table below lists the material's general mechanical properties.

Class code	Tension test				
	Steel thickness mm	Yield strength N/mm ²	Tensile strength N/mm ²	Elongation	
SS400	Thickness from 16 to 40	235 or more	400~510	Sample piece	
	Thicker than 40	215 or more		%	
				No. 1A	21 or more
				No. 4	23 or more

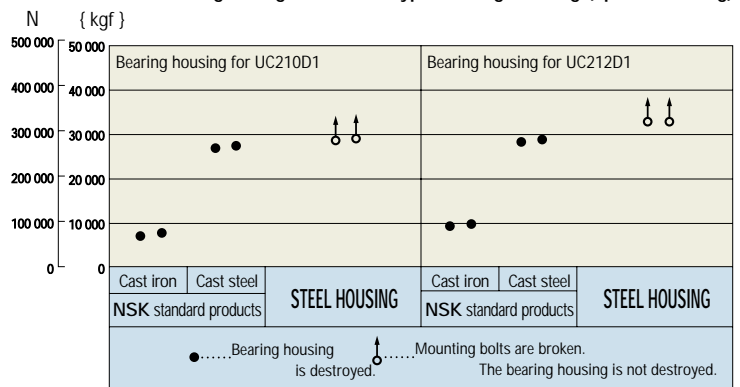
3. Allowable load for bearing housings

The allowable load for rolled steel housings is approximately 5 times the insert bearing's dynamic capacity. In most applications the load is transmitted through the bearing into the housing. As shown below, the static fracture strength of NSK rolled steel housings is considerably higher than that of cast iron and cast steel housings.



※The above sketch shows the application of an upward load. This loading was applied for testing purposes only and is not recommended for actual use.

Static Breaking Strength of Pillow Type Bearing Housing (upward loading)



4. Applications

NSK rolled steel housings provide superior strength to cast steel and cast iron. Their ability to resist impact loads makes them suitable for applications involving heavy loads and vibration. Possible applications for NSK rolled steel housings include but are not limited to conveyors, trucks and overhead cranes at steel mills, mining machinery and pollution control equipment.

- Care should be taken when loads do not act through the base of the housing. For applications where loads are acting axially or at a 45 degree angle, an external retainer may be needed to prevent the housing from moving.
- The grease nipple is not installed prior to shipment to prevent breaking. It should be installed prior to using the unit.
- Other housing configurations, such as the 300 series square flange, the thick pillow block, the diamond shaped flange, the piloted round flange, the piloted square flange and the take-up type units are available. Stamped steel or cast iron dust covers are also available upon request. Ask your NSK representative about these available options.