



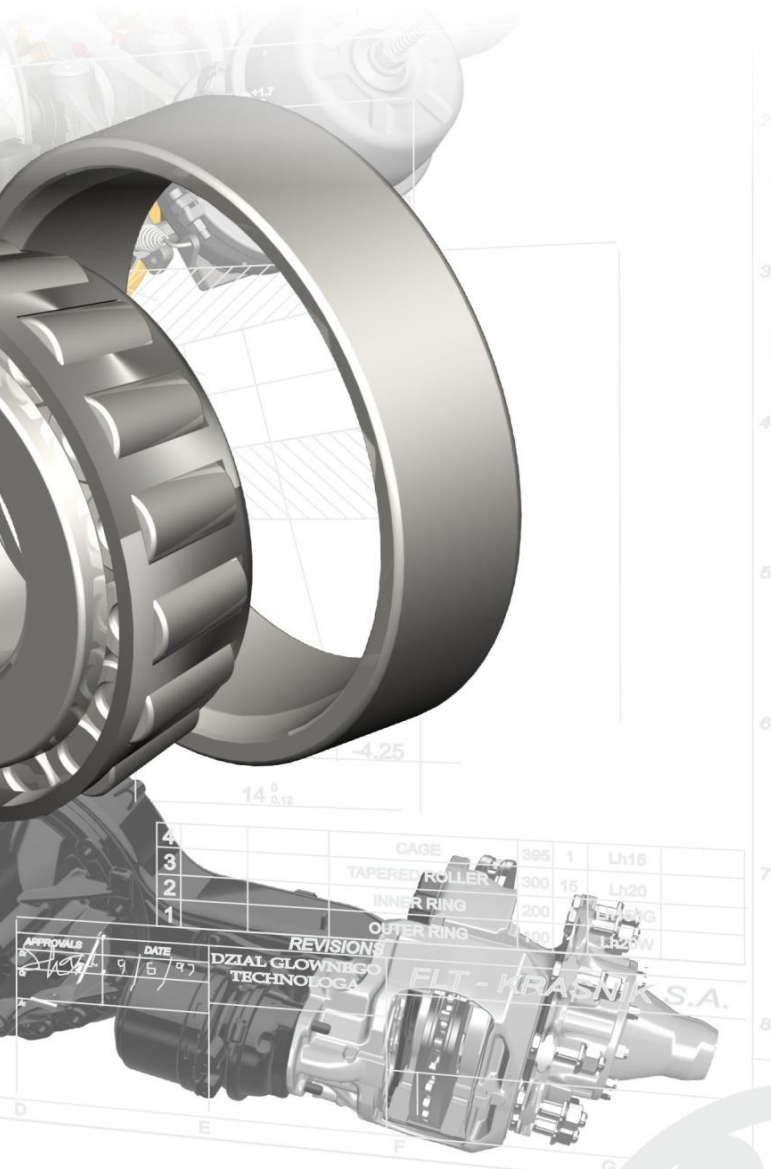
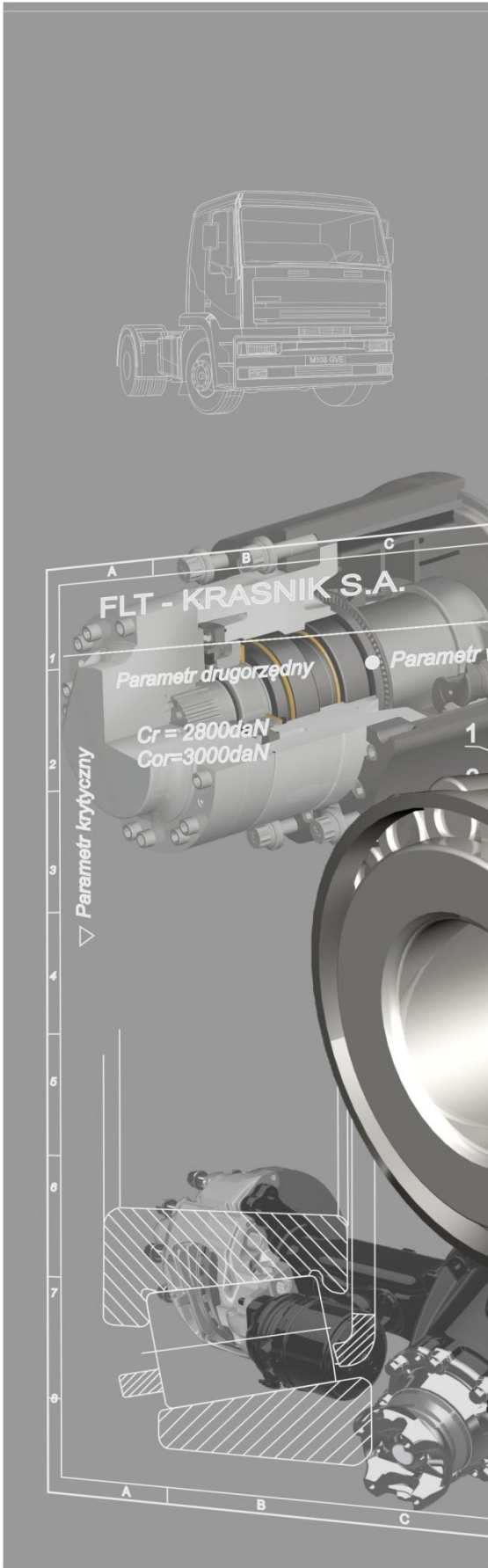
# PBF

POLISH BEARINGS FACTORY

Fabryka Łożysk Tocznych - Kraśnik S.A.

## Łożyska do samochodów ciężarowych

## Bearings for truck



### Nowy znak - jeszcze lepsza jakość!



## **TRUCKS**

DAF (NL)	p. 2
IVECO ( I )	p.2,3
BUSY	p.3
IVECO E.N.A.S.A.( E)	p.4
IVECO PEGASO( E)	p.5
MAN ( D )	p.5
MERCEDES BENZ ( D )	p.5,6
NISSAN EBRO	p.7
RENAULT R.V.I. (F)	p.7,8
SCANIA (S)	p.9,10
VOLVO (S)	p.10, 11
LEYLAND (GB)	p.11

## **POLISH TRUCKS**

LUBLIN	p.12
JELCZ	p.12
AUTOSAN	p.12

## **TRAILERS**

BPW (D)	p.12
SAUER SAF (D)	p.13
CODER (F)	p.13
COLARET (F)	p.13
FRUEHAUF (F)	p.13
R.O.R. (GB)	p.14
SAE (F)	p.14
TRAILOR (F)	p.14
YORK (GB)	p.14

TRUCKS

**DAF (NL)**

type	position	internal bearing	external bearing	axle no.
F 600 , F 800	FRONT	33209	-	60 N
F 2900	FRONT	-	32310	
F 3200	FRONT	-	32310	
F 3300 , F 3305	FRONT	-	32310	
F 65	FRONT	-	32310	N 152
F 75	FRONT	-	32310	N 152

**IVECO ( I )**

type	position	internal bearing	external bearing	axle no.
DAILY 28 - 8	FRONT	32208	32208	RIGHT WHEEL 06/79
DAILY 30 - 8	FRONT	32208	32208	IVECO
DAILY 30-9	FRONT	32208	-	IVECO
DAILY 32-8	FRONT	32208	32208	RIGHT WHEEL 06/79
DAILY 35 - 8	FRONT	32208	32208	IVECO
DAILY 35-9	FRONT	32208	32208	
DAILY 30-9	FRONT	32208	32208	
DAILY TURBO	FRONT	32208	-	
DAILY 35 - 10	FRONT	33208	32208	
GRINTA 30 - 9	FRONT	32208	-	IVECO
GRINTA S	FRONT	32208	-	
GRINTA S TURBO	FRONT	33208	-	
40 - 10 WM	FRONT	32013 X	32013X	
109 - 14	REAR	32217	-	
110 - 16	FRONT	32211 X 30216	32208	
115-17	REAR	32217	-	
120 - 14	REAR	-	32217	
130 - 13	FRONT	32211	32208	
130 - 16	REAR	30216	32215	
135 - 17 , A 135 - 17	REAR	32217	-	
150 - 14 , 150 - 16 A	REAR	32219	32217	
145 - 17	REAR	32219	32217	
159 - 17 , 159 - 20	FRONT	-	32310	
160 - 16 A	REAR	32219	32217	
160 - 23 ( 4 x 4 )	FRONT	32021 X	-	
160 - 26	FRONT	-	32310	
160 - 30 AHW	FRONT	32021 X	-	
170 - 20 , 170 - 26	FRONT	-	32310	

### IVECO ( I )

type	position	internal bearing	external bearing	axle no.
175 - 17	FRONT	-	32310	
175 - 24	REAR	32219	32217	
179.30 , 175. 34	REAR	32219	32217	
190 - 20 , 190 - 26	FRONT	-	32310	
190 - 30 N, NT, 220-30 220-32	REAR	-	32217	ROCKWELL U 180 E
190 - 30 P, T, PT, TR 190 - 24 , 190 - 32 190 - 36 , 190 - 38 190 - 42 , 190 - 42 T 190 - 42 P	REAR	-	32217	
190 - 35	FRONT	-	32310	
190. 34 , 190. 38 190. 42 , 190. 47 190. 52	FRONT	-	32217	01/91 - 01/91 -
200. 27 , 200. 27 R	FRONT	32219	32217	01/91 - 01/91 -
230 - 35 WM (6x6)	FRONT	32021 X	-	
260 - 25 AHW (6x6) 260 - 26 NW (6 x 6) 260 - 35 HWM (6x6) 260 - 35 WM (6x6)	FRONT	-	32021 X	
260 - 36 260 - 42	REAR	-	32217	
320- 45 (6 x6), 320 D 21,330 - 26 HW, HWT 330 - 30 HW, NW 330 - 30 ANW 330 - 32 ANW 330 - 35 HW 330 - 35 HW (6x6) 330 - 35 HW - CKD	FRONT	32021 X		

### BUSY

type	position	internal bearing	external bearing	axle no.
370. 10 - 20	REAR	32219	32217	
370. 12 - 26	FRONT		32310	
370. 10 - 25 , 11 - 25, 12-25	FRONT REAR	- 32219	32310 32217	
470 , 570 , 471 - 20 671	FRONT	30312		
670 12 -20	FRONT	30312		
1216	REAR	32218	32217	

**IVECO E.N.A.S.A.( E)**

type	position	internal bearing	external bearing	axle no.
1217 , 1223 , 1331 , 1331 R , 1431 , 1231 R 1228 T , 1231 T ,2331R,2331 T	FRONT REAR	- 32220	32310 32219	
2020 , 2040/50	FRONT REAR	- 32218	32310 32218	
2030	FRONT	-	32308	
2080 , 2080/50 , 5022 , 5023 GL , BUS 5023 CL	FRONT REAR	- 32219	32310 32219	
2321 K , 2331 K , 2431 K	FRONT	-	-	
3020	FRONT REAR	- -	32308	
3055	FRONT REAR	32217 -	-	
3060 L/GL	FRONT REAR	- 32315	32310 32315	
3076 D	FRONT REAR	- 32220	32310 32220	
5030 , BUS 5031 L	FRONT REAR	- 32217	32310 32216	
5060 , 5061 , 5062	FRONT REAR	- -	32308 -	
5064 , 5065 DR	FRONT REAR	32217 -	- 32216	
6035 , 6035 AI, 6035/4 , 6035/5	FRONT REAR	- 32218	32310 32218	
6046 , 6046 L	REAR	32217	32216	
6052	REAR	32218	32218	
BUS - 5081 , 5064	FRONT	-	32310	1985 -
BUS - 5031 , 5117 ,5123 , 5036 , 5036 S	FRONT REAR	- 32220	32310 32219	
BUS - 5061 DR	REAR	32217	32216	
BUS - 6031 N	FRONT REAR	- 32217	32310 32216	

### IVECO PEGASO( E)

type	position	internal bearing	external bearing	axle no.
1216	FRONT	-	32217	
	REAR	32218		
1217.17	FRONT	-	32310	
	REAR	32218	32217	
1217.20,1223,1228.T,1231.R,1231.T,1232.R, 1232.T,1234.R, 1236. T , 1331 , 1331. R 1332. RG , 1336. RG , 1434 , 1436 , 2331. R , 2331. T , 2334. T 1234.T , 1236.R,2431. K,2432.K, 2434. K , 2436. K	FRONT	-	32310	
	REAR	32220	32219	
2323. K , 2331.K	REAR	32220	32219	
3055	FRONT	32217	-	
	REAR			
BUS - 5031 , 5036 S, 5117 , 5123 , 5231	FRONT	-	32310	
	REAR	3220	32219	
BUS - 5317,7217, 7222	FRONT	-	32310	

### MAN ( D )

type	position	internal bearing	external bearing	axle no.
8/9. 136 F/FR	FRONT	32211	-	V7- 36 L
13 - 168 F, 13 - 192 F,14 - 168 F , 14 - 192 F	FRONT	-	33208	
	REAR	32018 X		
16. 168 F , 16. 192 F ,	FRONT	33213	33209	V7- 55 L
16 - 361 F/FL ,	FRONT	-	32310	V7 - 75 L

### MERCEDES BENZ ( D )

type	position	internal bearing	external bearing	axle no.
814 8,0 T 817	FRONT	32016	-	VL2/10D - 3,5 HL2/11D - 5,8
911 B	REAR	32216	-	8,2 T
LA 911 B	FRONT	-	30214	A3L/1,4 7.7T
	REAR	32216		
914 AF - 917 AF	FRONT	33017	30214	AL3/8D - 4,7 HL2/13D - 6,5
1113 B	FRONT	32216	-	VL3/1 - 3,8 7,7 T

### MERCEDES BENZ ( D )

type	position	internal bearing	external bearing	axle no.
L 1113 B 7,7 T - 7,8 T	FRONT	32216	_	AL3/1 - 4
1114 AF - 1117 AF	FRONT	33017	30214	AL3/8D - 4,7
1120 F	FRONT	33213	33208	VL3/11D - 4,4
1212 AF	FRONT	30214	_	AL3/7D - 4,3
1222	FRONT	33213	33208	VL3/6D - 4,1
1226 AF	REAR	_	33215	HL4/07D - 9,4
1314	FRONT	33213	33208	VL3/11D - 4,4
1314	FRONT	33213	33208	VL3/11D - 4,4
1314 AF	FRONT	33017	_	AL3/8D - 4,7
1320 - 1324 8,8 T - 9,2 T	FRONT REAR REAR	33213 32217	33208 _ 33215	VL3/11D 4,4 8,8 T 9,2
1414	FRONT REAR	33213 32217	33208 _	VL3/7D - 5 HL4/17D - 9,2
OH 1417	FRONT REAR		32310 32215	VL4/10D - 7 HL4/17D - 9,2
1417 , 1420 , 1422 ,	FRONT	33213	33208	VL3/7D - 5
1520 - 1524	REAR REAR	_	33215 32215	HL5/1S - 10 HL4/8 - 10
OF 1617 - OF 1621	FRONT	_	32310	VL4/7D - 7
1729 (4 x4)	FRONT	32021 X	_	AL7/10 - 7
1729 L , 1735 L ,	FRONT	_	32310	VL4/23D - 6,7
1733	FRONT	_	32310	VL4/29D - 7,5
1922 (4x 4) 1929 (4x4) 1935 (4x4 )	FRONT REAR	32021 X	_	AL7/10 - 7 HL7/07D - 11,5
1922 K , 1929 K	FRONT	_	32310	VL4/24D - 6,7
1929 S,1935 S	FRONT	_	32310	VL4/27D - 7,5
1932 , 2028 , 2032 ,	FRONT	_	32310	VL4/23D - 6,7
2220 , 2222	FRONT	_	32310	VL4/20DL - 7,5
2228 , 2233 , 2244	FRONT	_	32310	VL4/16D - 7,5
2420 - 2422	FRONT	_	32310	VL4/24D - 6,7
2421 B , 2422 K	FRONT	_	32310	VL4/24D - 6,7
2433	FRONT	_	32310	VL4/29D - 7,5
2448	FRONT	_	32310	VL4/9D - 7
L 2624 , L 2628 ,	FRONT	_	32310	VL4/23D - 6,7
2629 (6x6)	FRONT	32021 X	_	AL7/1D - 7
3228 , 3229 , 3235	FRONT	_	32310	VL4/16D - 7,5
3250	FRONT	32021 X	_	AL7/1D - 7
3528 ,3535	FRONT	_	32310	VL4/16D/28D - 7,5
3535 (8 x8 )	FRONT	32021 X	_	AD7/13DG - 9
BUS - 0-303	FRONT	33215	32310	
BUS - 0-305 , 0-307	FRONT	_	32310	
MB 140 , MB 160, MB 180	REAR	30209	_	

### NISSAN EBRO

type	position	internal bearing	external bearing	axle no.
MF - 100 , MF - 108	FRONT REAR	30209 -	30209 30205	
F - 250	FRONT	30209	32208	
F - 275	REAR	-	30208	
F - 350	REAR	-	30208	
M - 100.1 , M - 100.2 M - 125.1 , M - 100.3 M - 100.4 , M - 125.2 M - 125.3 M - 110 ,M - 125 M - 125 T , M - 130	FRONT	30310	-	
P - 160 , P - 170 T	FRONT	32219	-	
P - 200 , P - 260 P - 270, P - 320	FRONT	32219	32310	
L - 35 , L - 45 L- 50	FRONT	32208	-	-1988
PATROL	FRONT	30209	-	

### RENAULT R.V.I. (F)

type	position	internal bearing	external bearing	axle no.
MASTER T 28 , T 28 D , T 30 , T 30 D , T 35 , T 35 D	REAR	-	32208	
FN 40	FRONT	-	30205	
TRAFIC T 800 , T 800 D ,T 1000 , T 1000 D , T 1200 , T 1200 D		-	30205	Year of production 81 - 85 Year of production 86 -
S 100.06 , S 100.07/A S 100.07 TURBO S 100.08 ATB S 100.08 , S 110.06 S 110.07 , S 110.08 S 110.07/A , S 110.08/A S 120.07/A , S 120.08/A S 130.06 , S 130.07 S 130.08 , S 130.08/A S 140.07/A , S 140.08/A	FRONT	33209	-	



### RENAULT R.V.I. (F)

type	position	internal bearing	external bearing	axle no.
S 120.09/B S 130.08 - A/R S 130.08/R , S 130.08/B S 130.09 , S 130.09/R S 140.08/B S 140.08/BR S 140.09/B , S 150.08 S 150.09 , S 160.08/B S 160.09/B	FRONT	-	33207	
S 130.11 , S 130.13 S 150.11 , S 150.13 S 150 - 14 - TI/BOM S 170.11 - TI S 170.13 - TI	FRONT	-	33208	
M 140.12/C ,M 140.13/C M 160.12/C M 160.12/CA M 160.13/C M 160.13/CA M 200.12/C M 200.13/C M 200.14/C CIT M 230.10/C	FRONT	-	33208	
M 160.14/C BOM M 200.14/C BOM	FRONT	-	33208	
M 200.15/D M 200.15/D CIT M 200.16/D G 200.13/15 G 200.16/17	FRONT	33213	33209	
M 230.12/D M 230.13/D M 230.15/D M 230.16/D G 170.11 , G 170.13 G 170.15 A , G 170.16 G 170.17 , G 210.16 G 210.17 , G 210.18 G 230.11 , G 230.13 G 230 TI 15/13 G 230 TI 16/17 G 230.15 , G 230.16 G 230.17 , G 230 SP G 260.16 , G 260.17 G 280.15 , G 280.16 G 280.17 , G 290.17 G 300.15 , G 300.17	FRONT	33213	33209	
G 260.11 , G 260.13 G 260.15	FRONT	33213	33209	£ 5A £ 4A
G 300.15	FRONT	33213	33209	1142
GR 231	FRONT	-	33209	

### SCANIA (S)

type	position	internal bearing	external bearing	axle no.
L 80 , LB 80	FRONT	-	32308	
	REAR	32216	32215	
L 81 , LB 81, G 82 , P 82 , T 82, L 85 , LB 85 , LS 85, LBS 85, L 86 , LB 86 , LS 86	FRONT	-	32308	AM 55
	FRONT	-	-	AM 60
	REAR	32216	33215	AD80
	REAR	32216	33215	AD80
G 92 , G 92 M , P 92, R 143, T 143	REAR	32216	32218	AD90
	REAR	-	32308	ARA 55
	REAR	32216	32215	AD 80
	REAR	32216	32215	AD 80
L 110 , LS 110 L 110 , LS 110  LBS 110	FRONT	-	32308	
	FRONT	-	32308	L 110 , LS 110
	REAR	32219	32219	RP 750
	REAR	32218	32218	
LBT 110	REAR	32219	32219	RP 750
	REAR	32218	32218	
L 111	FRONT	-	32308	AM 55
LT 111	REAR	32218	32218	AD 90
	REAR	32219	32219	AD 95
	REAR	32218	32218	stiff axle
LBS 111	REAR	32216	32215	AD 80
LBT 111 - BB/FB	REAR	32216	33215	AD 80 alternative
G 112 , P 112 , R 112	REAR	32218	32218	AD 90
	REAR	33219	32219	AD 95

### SCANIA (S)

type	position	internal bearing	external bearing	axle no.
G 112 M , P 112 M T 112 M ,	FRONT	–	32308	AM 55
	REAR	32216	33215	AD 80
	REAR	32216	32215	AD 80 alternative
	REAR	32218	32218	stiff axle
LB 140 , LBS 140 LBT 140	REAR	32219	32219	R 651, RP 652, RP 750
	REAR	32218	32218	RP 751
L 141 , LS 141 , LT 146	REAR	32219	32219	AD 95
	REAR	32218	32218	AD 90 , LS 141
LBT 141 - BB/FB	REAR	32216	32215	AD 80
	REAR	32216	33215	AD 80 - No 1029860
	REAR	32218	32218	AD 90
	REAR	32219	32219	AD 95
R 142 M R 142 H	FRONT	–	32308	
	REAR	32216	33215	AD 80
	REAR	32216	32215	AD 80
	REAR	32218	32218	AD 90

### VOLVO (S)

type	position	internal bearing	external bearing	axle no.
F 88 , FB 88 , G 88	REAR	32219	32219	Reduction hub
N 88 , NB 88	FRONT	–	32308	5,0 T
	FRONT		–	6,0 T
	REAR	32219	–	Reduction hub
	REAR	–	32219	stiff axle
F 611	FRONT	32211	32208	No 2376
	REAR	–	32208	No 2377
F 612	FRONT	32211	32208	No 6450
F 613	FRONT	–	32208	No 6451 -
F 614	FRONT	32211	32208	No 703
	FRONT	–	32208	No704
F 7 ( 4i2 ; 6i2) (8x2;8i4)	REAR	–	32213	stiff axle
FL 10 (4x2);6x2) (8x2;8x4;8x6)	FRONT		–	Lubrication - Oil
	FRONT	–	–	09/1992-
	FRONT	–	32308	5,5T
	FRONT	–		

### VOLVO (S)

type	position	internal bearing	external bearing	axle no.
N 7 (4x2; 6x2; 6x4)	FRONT	-	32308	5,0 T RAN 81;RTN 80;RTN 87  stiff axle 6,5 T - 7,5 T - oil
	REAR	32219	-	
	REAR	-	-	
	REAR	-	33213	
N 10 (4x2; 6x2; 6x4)	FRONT	-	32308	5,0 T RAN 81;RTN 80;RTN 82
	REAR	32219	32219	
F 12 ; FH 12 (4x2; 6x2; 6x4)	REAR	32219	32219	RAN 81;RTN 80;RTN 87 stiff axle
	REAR	-	33213	
N 12 (4x2; 6x2; 6x4)F 16 ; FH 16 (4x2; 6x2; 6x4)	FRONT	-	32308	5,0 T RAN 81;RTN 80;RTN 82
	REAR	32219	32219	

### LEYLAND (GB)

type	position	internal bearing	external bearing	axle no.
ROAD RUNNER 610 ; 612 ; 810 ; 812	FRONT	33209	-	
ROADTRAIN	FRONT	-	33209	04/1984 -
CONSTRUCTOR S-6 2415 ; 2417 ; 2420 2421 S - 8, 3019 ; 3021 ; 3023 3025 ; 3026	FRONT	-	33209	04/1984 - MAUDSLEY
SERIA 300, 301 - 311,302, 400 - 401	REAR	32219	32217	ROCKWELL S 180 E SEDDON
	REAR	32218	32217	

## POLISH TRUCKS

### LUBLIN

type	position	internal bearing	external bearing	axle no.
LUBLIN	FRONT	-	30207	
LUBLIN II	FRONT	-	30208	

### JELCZ

type	position	internal bearing	external bearing	axle no.
316 ; 317 ; 325, 326 ; 327	FRONT REAR	- 32220 A	32310 -	

### AUTOSAN

type	position	internal bearing	external bearing	axle no.
H- 9	REAR	32218 A	32219	

## TRAILERS

### BPW (D)

type		internal bearing	external bearing	axle no.
EB 1406/1806		32208	-	
7,35 - 8,0 T EHB ; EHS ; EHZ(D)		33215	32310	
2,5 - 5,5 T RB;RS;RZ		32212	32208	
4 - 5 T ZRS ; ZRZ		32212	32208	
6,0 T ZRS ; ZRZ		33213	33209	
6,5 - 9,0 T HZ(D)		33116	32310	
8 - 9 T NRZ(D)		33116	32310	
10 - 12 T HS;HZ;NRZ		33118	33213	
13 - 14 T HZ ; NRZ		32219	33215	
HS 8010 - HS 9010		33116	32310	
EHS 8010 - EHS 9010		33215	32310	
HS 12010 - HZ 12010		33118	33213	
EHS 12010-EHZ 12010		-	33213	
HS 13010 - HS 14010		32219	33215	
H/R 6,5 - 9,0 T		33116	32310	

**SAUER SAF (D)**

type		internal bearing	external bearing	axle no.
EB 1935		–	30206	
EB - EBN 3030 ; 3140		30310	–	
EB - EBN 3140/6 ;ES 4040		–	33207	
5030 ; 5542 ; 5040		30312	–	
8030 ; 10030		32217	32213	
8341 ; 8342 ; 8442		–	33213	
8130;11030;11042		–	33213	
13042		32218	–	
13130		32218	–	
14141 ; 14242		32219	–	

**CODER (F)**

type		internal bearing	external bearing	axle no.
G 1880; G 2490; SR 229		32218	32218	
G 208 ; G 24100 ; SR 2210		32218	32218	
G 2090 ; SR 188 ; SR 249		32218	32218	
G 2280 ; SR 189 ; SR 2410		32218	32218	
G 2290 ; SR 208 ; SR2 E 2910		32218	32218	
G 2480 ; SR 209 ; SR2 E 3010		32218	32218	
SR 158 ; SR 168 ; SR2 E 289		32216	32216	

**COLARET (F)**

type		internal bearing	external bearing	axle no.
E 616		–	30209	
E 816		–	32212	
E 816		32214	32212	ALTERNATIVE
E 810 ; E 818		32214	32212	ALTERNATIVE

**FRUEHAUF (F)**

type		internal bearing	external bearing	axle no.
D30C		32218	32218	

**R.O.R. (GB)**

type		internal bearing	external bearing	axle no.
TM 20000 ; TM 22500 TM 25000		HM 218248/10	33213	
TM 31500 - 33000		32220	32218	

**SAE (F)**

type		internal bearing	external bearing	axle no.
5122/S 33		32214	32212	
5203 S 4112 ; S 44		32216	32214	
5204/R 4112 ; S 241 ; S 44		32218	32216	
5205/S 4420		32220	32218	
5206/S 4420		32216	32214	
7026/S 4420 - 5206/S 4420 ; S 44		-	32218	
5207/S 4420		-	32218	
7015/S 4420		32220	32218	
7103/S 3320 ; S 3520 ; S 33		32216	32214	
7104/S 3320 ; S 33		32218	32216	
7015R/S 4420 - 7026/S 4420		32220	32218	
7016/S 4420		-	32218	
7103/S 3312 ; S 33015		32216	32214	
7103/S 3320		-	32216	
7121/S 3208 ; S 33		32212	32211	
7162/S 4112		32214	32212	
7163/S 3515		-	32214	
7404/S 3520 ; S 33		32216	32216	
9163/S 3515 - 9203/S 4416		32216	32214	
9024/S 4420		-	32216	
9304/S 44		32218	32216	

**TRAILOR (F)**

type		internal bearing	external bearing	axle no.
18/20		749/743 X	32215	
26		32219	32217	

**YORK (GB)**

type		internal bearing	external bearing	axle no.
10,0 T		HM 218248/10	33213	

# Fabryka Łożysk Tocznych -Kraśnik S.A.

Poland, 23-210 Kraśnik, ul. Fabryczna 6  
www.flt.krasnik.pl e-mail:info@flt.krasnik.pl

*Dział Sprzedaży i Marketingu:  
Sales and Marketing Department*

*tel. +4881 8257154, +4881 8257053, fax +4881 8257333*

*Biuro Handlu Zagranicznego:  
Foreign Trade Office*

*tel. +4881 8257052, +4881 8257059, fax +4881 8257333*



